

Fig. No.	Part No.	Description	Quantity
1	11110104	Nut, cylinder head	4
2	73010074	Plain washer, for nuts at fig. 1	4
3	11110221	Head, cylinder	1
	11110203	Head, cylinder	1
	11110200	Gasket, cylinder head	1
4	11110222	Gasket, cylinder head	1
	11110201	Cylinder	1
5	11110220	Cylinder	1
6	11110103	Gasket, cylinder base	1
7	11110106	Stud, cylinder head (standard)	4
	11110141	Stud, cylinder head (oversize)	—
	11110113	Crankcase, complete with figs. 7 - 20 - 81 - 83	1
	11110114	Crankcase, complete with figs. 7 - 20 - 29 - 31 - 81 - 83	1
8	12011012	Crankcase (epicyclical starter), complete with figs. 7 - 19 - 20 - 30 - 81 - 83	1
9	07060199	Gasket, clutch cover	1
10	07110150	Splenda, for engine oscillation	1
11	15010020	Splendablock, for engine oscillation	2
12	07110151	Case, locking spindle	2
13	02110110	Plain washer, for screws at fig. 15	5
14	02110111	Spring washer, for screws at fig. 15	5
15	71060625	Screw, for fixing clutch cover	8
16	07060121	Cover, clutch	1
17	14010014	Gasket, for oil level plug	1
18	14010013	Plug, oil level $\frac{1}{2}$ " diaf. Scale 70	1
19	12110434	Stud, long, for fixing epicyclical starter cover	1
20	11180444	Stud, fixing starter	1
21	73170064	Spring Washer, for nut at fig. 22	1
22	73030006	Nut, fixing starter	1
23	07110152	Thrust Washer, for spindle	1
24	73070018	Nut, for spindle at/Scale 70	1
25	84011623	Gasket, for drain plug	1
26	83801602	Plug, oil drain	1
27	04110134	Bush, layshaft	1
28	11110121	Locking screw, for crankcase/transmission case	1
29	11110485	Stud, short, fixing h/water cover	1

Fig. No. Part No.

Description

Quantity

30	73060838	Stud, short, fixing epicyclical starter cover	1
31	11110486	Stud, long, fixing h/water cover	1
32	84012634	Gasket, for rear bevel couple checking plug	1
	84012402	Gasket, for rear bevel couple checking plug	1
33	83802601	Plug, for checking rear bevel couple	1
	83802401	Plug, for checking rear bevel couple	1
34	11331017	Transmission case, complete with figs. 27 - 25 - 45 - 46 - 67 - 80	1
35	11330111	Stud, gear selector lever	2
36	71060620	Screw, for fixing transmission case/crankcase	4
37	02110111	Spring washer, for screw at fig. 36	4
38	02110110	Plain washer, for screw at fig. 36	4
39	02110116	Screw, for fixing transmission case/crankcase	4
40	02110114	Spring washer, for screw at fig. 39	4
41	02110115	Plain washer, for screw at fig. 39	4
42	73000008	Nut, for screw at fig. 28	1
43	73170084	Spring washer, for screw at fig. 28	1
44	73030084	Plain washer, for screw at fig. 28	1
45	15010020	Brusher	1
46	84011623	Gasket, for breather	1
47	85801602	Plug, oil filler	1
48	84011622	Gasket, oil filler plug	1
49	71420413	Screw, (countersunk) for fixing end cover	4
50	73060414	Screw, (hexagonal) for fixing end cover	4
51	73030043	Spring washer, for screw at fig. 49	4
52	07230105	Plain washer, for screw at fig. 49	4
53	07230108	End cover, transmission case	1
54	07230109	Gasket, for end cover	1
55	71420512	Screw, for fixing cover plate	2
56	07230103	Cover plate	1
57	73060013	Checkfig, for locking brake shoe	1
58	07230137	Pin, rear brake shoe	1
59	73170084	Spring washer, for fig. 58	1
60	73030084	Plain washer, for fig. 58	1
61	07230106	Back plate, \varnothing mm, 160) with studs at fig. 79	1
61	11331018	Back plate, \varnothing mm, 151) with studs at fig. 79	1

Fig. No. Part No.

Description

Quantity

CYLINDER CRANKCASE AND TRANSMISSION CASE

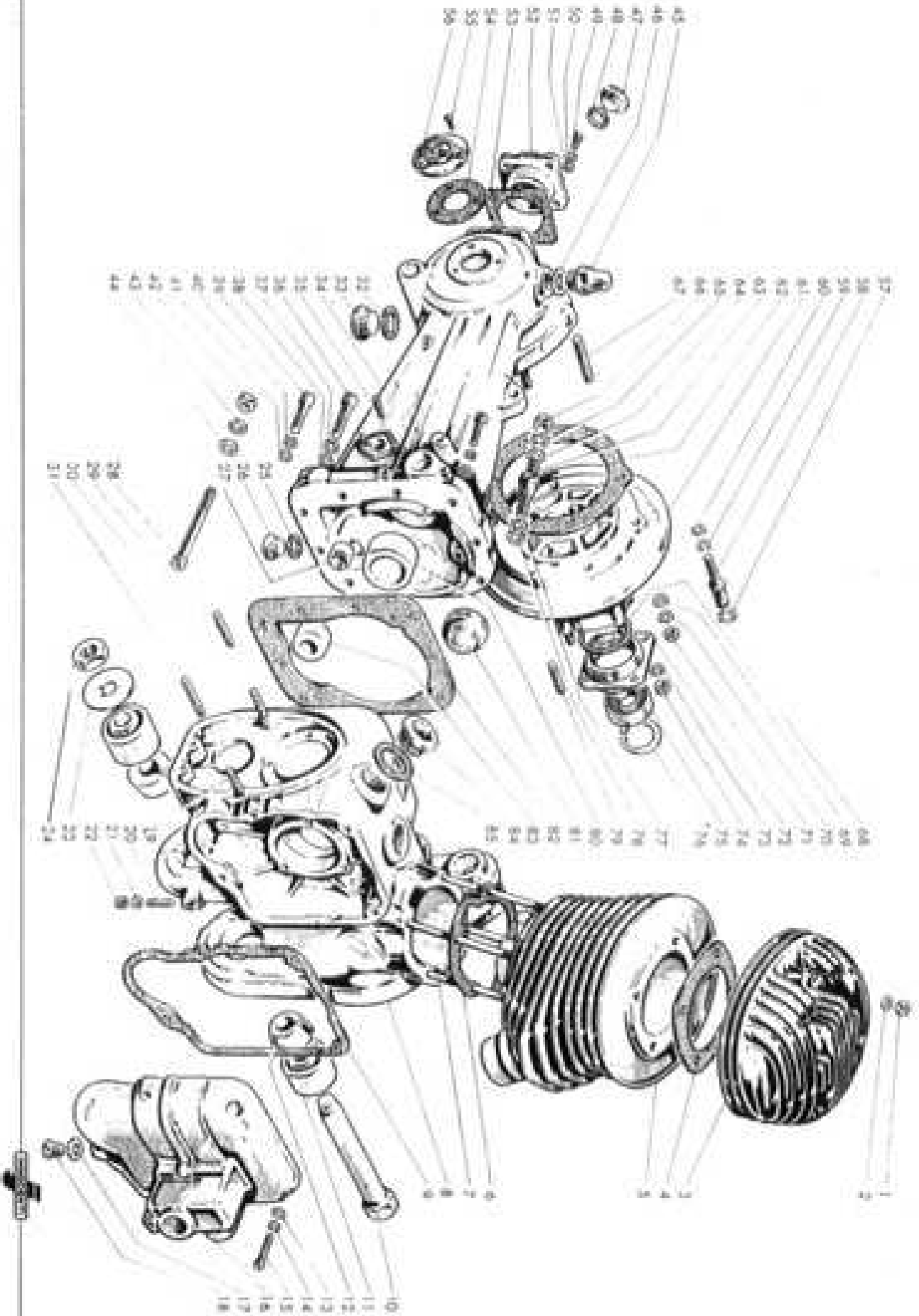


Fig. No.	Part No.	Description	Quantity	Fig. No.	Part No.	Description	Quantity
62	07330312	Gasket, rear wheel back plate	1	75	99094308	Oil seal, (22 x 40 x 7) sub axle bearing	1
63	08010304	Attaching screw, for engine earth wire	1	76	73250040	Cradle, retaining oil seal	1
64	73010064	Plate washer, for screw at fig. 63	1	77	02110111	Spring washer, for screw at fig. 63	1
65	73170064	Spring washer, for screw at fig. 63	1	78	02110116	Plate washer, for screw at fig. 63	1
66	73030006	Nut, for screw at fig. 65	1	79	99094311	Stud, for fixing end plate	4
67	07330110	Stud, for locking rear back plate	4	80	07330107	Bush, for needle	1
68	99094336	Seal ring, for back plate	1	81	07110104	Rebound buffer, for crankcase 1111012/1111014	1
69	73030084	Plate washer, for nut at fig. 71	4	81	11110137	Rebound buffer, for crankcase 1211012	1
70	73170084	Spring washer, for nut at fig. 71	4	82	12110102	Gasket, crankcase/transmission case	1
71	73030008	Nut, for studs at fig. 67	4	83	06110124	Bush, for layshaft for crankcase 1111012/1111014	1
72	99094309	End plate, sub axle bearing	1	84	11110136	Bush, for layshaft for crankcase 1211012	1
73	73170064	Spring washer, for nut at fig. 74	4	84	85802801	Plug, oil filler	2
74	73040006	Nut, for studs at fig. 79	4	85	84013836	Gasket, oil filler plug	2

Fig. No.	Part No.	Description	Quantity	Fig. No.	Part No.	Description	Quantity
1	99091208	Piston ring, standard \varnothing 52	2	6	11111206	Piston, standard \varnothing 52	1
	99091209	Piston ring, oversize \varnothing 52,2			11111206	(for gudgeon pin \varnothing 16)	
	99091241	Piston ring, oversize \varnothing 52,4					
2	11110204	Piston ring, oversize \varnothing 52,6	3	7	11110242	Piston, oversize \varnothing 52,2	1
	11110204	Piston ring, standard \varnothing 52			11110244	(for gudgeon pin \varnothing 16)	
	11110204	Piston ring, oversize \varnothing 52,2					
3	11110246	Piston ring, oversize \varnothing 57,4	1	8	11110142	Piston, oversize \varnothing 52,4	1
	11110247	Piston ring, oversize \varnothing 57,4			11110139	(for gudgeon pin \varnothing 16)	
	11110246	Piston ring, oversize \varnothing 57,4					
4	73250014	Gudgeon pin, standard \varnothing 14	2	9	11110247	Piston, oversize \varnothing 52,6	1
	73250016	Gudgeon pin, oversize \varnothing 14,1			11110231	(for gudgeon pin \varnothing 16)	
	11111026	Gudgeon pin, oversize \varnothing 14,2					
5	11111026	Gudgeon pin, standard \varnothing 14	1	10	73250047	Nut, for locking flywheel side bearing	1
	11111026	Gudgeon pin, oversize \varnothing 14,1			11110247	Thrust washer, for nut at fig. 8	
	11111026	Gudgeon pin, oversize \varnothing 14,2					
6	11111026	Gudgeon pin, standard \varnothing 14	2	11	11110247	Crutch, retaining bearing	1
	11111026	Gudgeon pin, oversize \varnothing 14,1			73250047	Oil seal, (21 x 47 x 7) flywheel side	
	11111026	Gudgeon pin, oversize \varnothing 14,2					
7	11111026	Gudgeon pin, standard \varnothing 14	2	12	11110242	Crutch, retaining bearing	1
	11111026	Gudgeon pin, oversize \varnothing 14,1			11110142	Spacer, flywheel side bearing	
	11111026	Gudgeon pin, oversize \varnothing 14,2					
8	11111026	Gudgeon pin, standard \varnothing 14	1	13	11110242	Seal ring	1
	11111026	Gudgeon pin, oversize \varnothing 14,1					
	11111026	Gudgeon pin, oversize \varnothing 14,2					
9	11111026	Gudgeon pin, standard \varnothing 14	1	14	11110242	Ball bearing, main flywheel side	1
	11111026	Gudgeon pin, oversize \varnothing 14,1					
	11111026	Gudgeon pin, oversize \varnothing 14,2					
10	11111026	Gudgeon pin, standard \varnothing 14	1	15	11110242	Oil seal, (21 x 47 x 7)	1
	11111026	Gudgeon pin, oversize \varnothing 14,1					
	11111026	Gudgeon pin, oversize \varnothing 14,2					
11	11111026	Gudgeon pin, standard \varnothing 14	1	16	11110242	Key, woodruff, flywheel side	1
	11111026	Gudgeon pin, oversize \varnothing 14,1					
	11111026	Gudgeon pin, oversize \varnothing 14,2					
12	11111026	Gudgeon pin, standard \varnothing 14	1	17	73250047	Crutch, retaining bearing	1
	11111026	Gudgeon pin, oversize \varnothing 14,1					
	11111026	Gudgeon pin, oversize \varnothing 14,2					
13	11111026	Gudgeon pin, standard \varnothing 14	1	18	11110242	Thickness washer, flywheel side bearing	1
	11111026	Gudgeon pin, oversize \varnothing 14,1					
	11111026	Gudgeon pin, oversize \varnothing 14,2					
14	11111026	Gudgeon pin, standard \varnothing 14	1	19	11110242	Nut, for locking gear bevel piston	1
	11111026	Gudgeon pin, oversize \varnothing 14,1					
	11111026	Gudgeon pin, oversize \varnothing 14,2					
15	11111026	Gudgeon pin, standard \varnothing 14	1	20	—		1
	11111026	Gudgeon pin, oversize \varnothing 14,1					
	11111026	Gudgeon pin, oversize \varnothing 14,2					
16	11111026	Gudgeon pin, standard \varnothing 14	1	21	11110242	Oil seal, (21 x 47 x 7) drive side bearing	1
	11111026	Gudgeon pin, oversize \varnothing 14,1					
	11111026	Gudgeon pin, oversize \varnothing 14,2					
17	11111026	Gudgeon pin, standard \varnothing 14	1	22	73250047	Thickness washer, drive side bearing	1
	11111026	Gudgeon pin, oversize \varnothing 14,1					
	11111026	Gudgeon pin, oversize \varnothing 14,2					
18	11111026	Gudgeon pin, standard \varnothing 14	1	23	11110242	Ball bearing, drive side	1
	11111026	Gudgeon pin, oversize \varnothing 14,1					
	11111026	Gudgeon pin, oversize \varnothing 14,2					
19	11111026	Gudgeon pin, standard \varnothing 14	1	24	73170024	Spring washer, for screw at fig. 25	3
	11111026	Gudgeon pin, oversize \varnothing 14,1					
	11111026	Gudgeon pin, oversize \varnothing 14,2					
20	11111026	Gudgeon pin, standard \varnothing 14	1	25	73246014	Screw, fixing flange at fig. 24	3
	11111026	Gudgeon pin, oversize \varnothing 14,1					
	11111026	Gudgeon pin, oversize \varnothing 14,2					
21	11111026	Gudgeon pin, standard \varnothing 14	1	26	11110242	Ball bearing, for crankshaft	1
	11111026	Gudgeon pin, oversize \varnothing 14,1					
	11111026	Gudgeon pin, oversize \varnothing 14,2					
22	11111026	Gudgeon pin, standard \varnothing 14	1	27	11110242	Shim, for gear bevel pinion	1
	11111026	Gudgeon pin, oversize \varnothing 14,1					
	11111026	Gudgeon pin, oversize \varnothing 14,2					
23	11111026	Gudgeon pin, standard \varnothing 14	1	28	07110240	Thrust washer, for nut at fig. 29	1
	11111026	Gudgeon pin, oversize \varnothing 14,1					
	11111026	Gudgeon pin, oversize \varnothing 14,2					
24	11111026	Gudgeon pin, standard \varnothing 14	1	29	07110239	Nut, for locking gear bevel piston	1
	11111026	Gudgeon pin, oversize \varnothing 14,1					
	11111026	Gudgeon pin, oversize \varnothing 14,2					

* These items have been replaced from the flange number 11111026 (see fig. 24) after machine

Engine no. 39015 for C/150
 Engine no. 167200 for LD/150
 Engine no. 209704 for LD/125
 ** When it is required to replace the gear bevel couple on 150/D model from engine number 2010 to 2823 and 150/LD from engine number 105003 to 105487, also the roller bearing 11110216 must be replaced with the double ball bearing 11110236 by having the bearing in the crankcase.

CRANKSHAFT AND PISTON

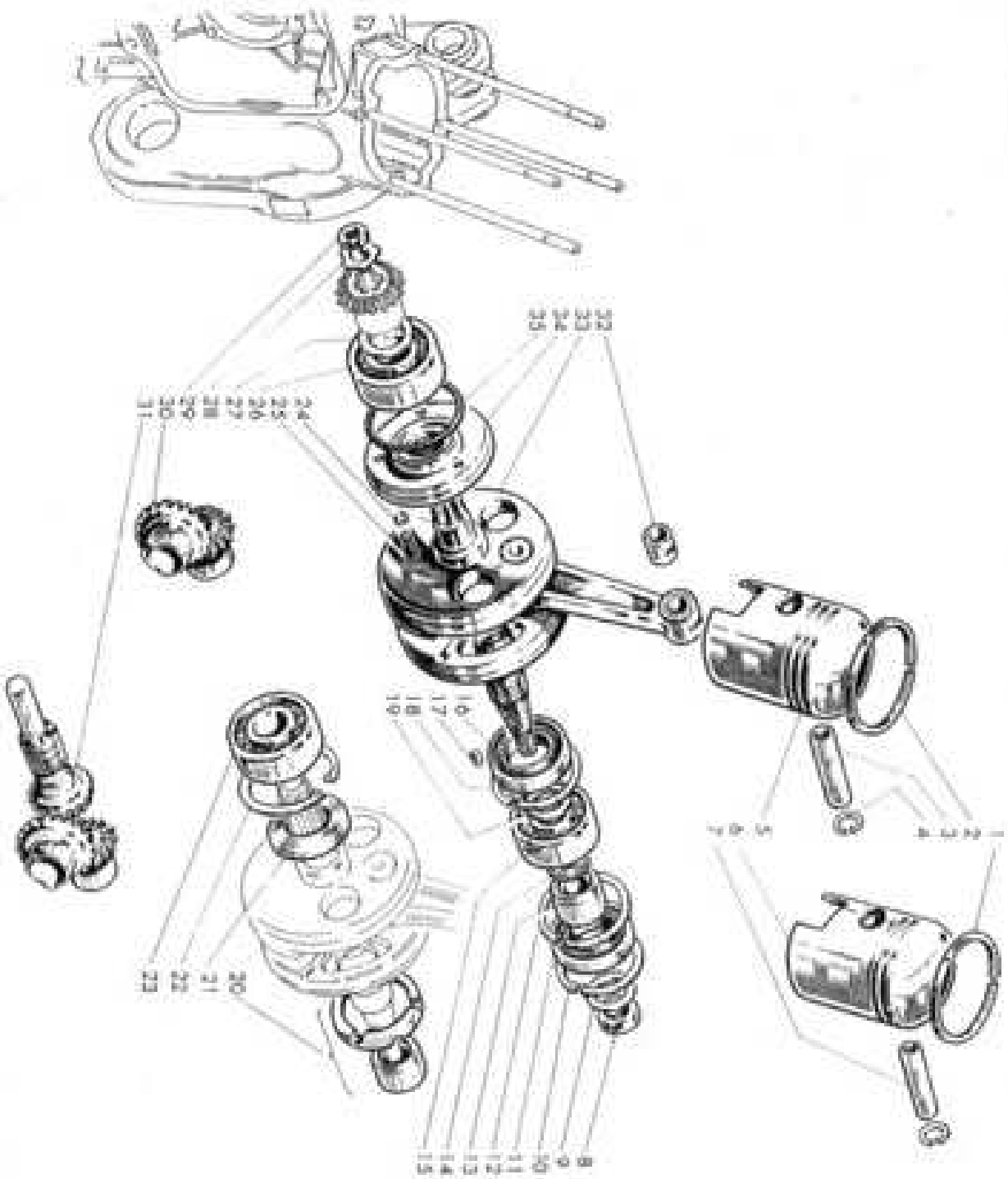


Fig. No.	Part No.	Description	Quantity
	11110000	Gear barrel couple (straight teeth Z = 19/26)	1
	11110001	Gear barrel couple (helical teeth Z = 19/26)	—
	11110002	Gear barrel couple (conflux teeth Z = 19/26) for epicyclic starter	—
**30	11110004	Gear barrel couple (straight teeth, reduced gear Z = 17/25) to couple with pinion number 40111246 or pinion 40111266	1

Fig. No.	Part No.	Description	Quantity
21	11110005	Reduced gear, (Z = 17/25)	1
	11110054	Bush, small end (2) 14)	1
32	15010008	Bush, small end (2) 16)	1
33	11111191	Crankshaft, complete with fig. 32	1
34	11111234	Flange, with oil seal, for locking drive side bearing (please see *)	1
35	11110343	Seal ring, for drive side bearing	1

* These items have been replaced from the flange number 11110336 (see fig. 24) after machine:

Engine no. 24515 for D/150

Engine no. 167530 for LD/150

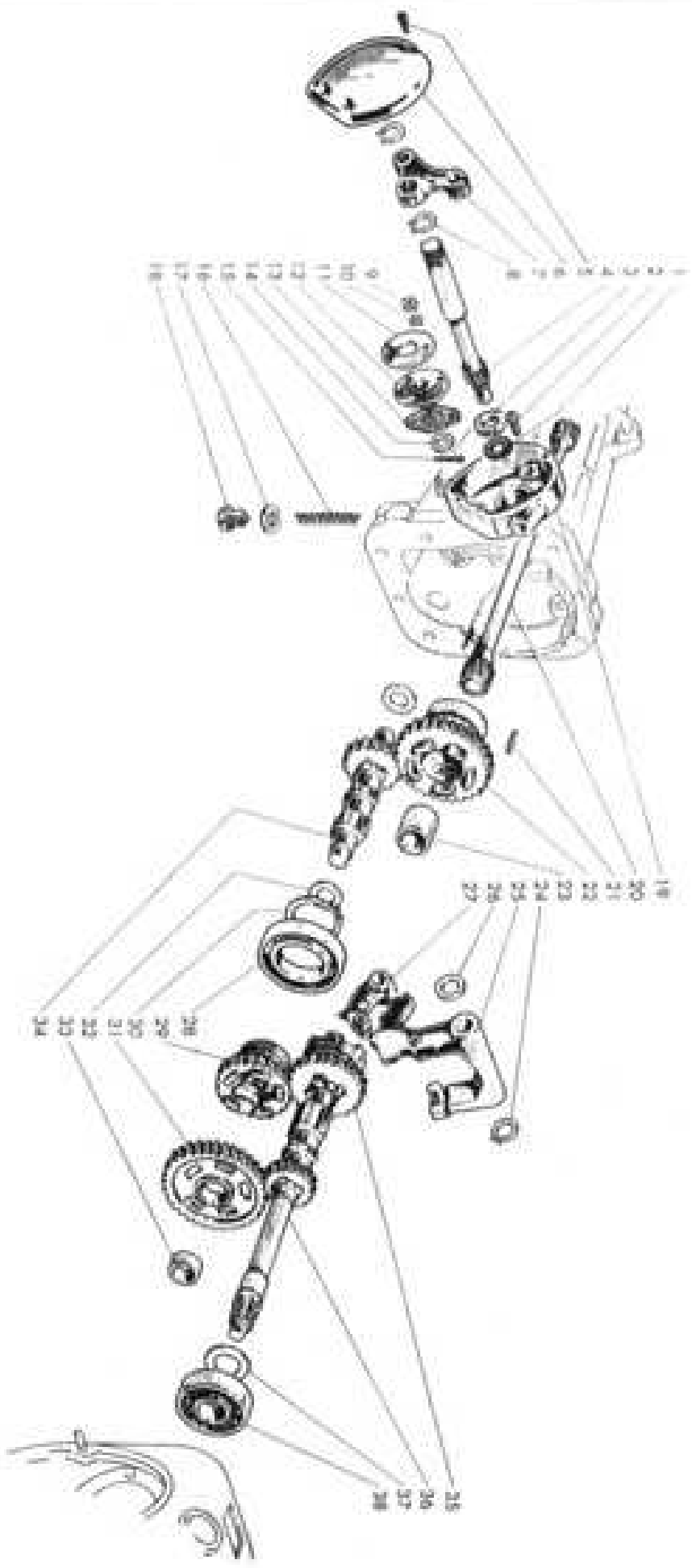
Engine no. 287306 for LD/124

** When it is required to replace the gear barrel couple on 150/D model (from engine number 5010 to 5833) and 150/LD (from engine number 105003 to 105487) into the roller bearing 1110316 must be replaced with the double ball bearing 1110326 by leaving the bearing in the previous.

Fig. No.	Part No.	Description	Quantity	Fig. No.	Part No.	Description	Quantity
1	02060129	Back, clutch drive hub	2	23	02060103	Plate, clutch pressure	1
2	11061011	Hub, with bushes at fig. 1	1	24	02060102	Clutch ring, clutch pressure plate	1
3	07060165	Shim, for lever pinion	1	25	02060150	Lever, internal, clutch control	1
4	15012015	Ball bearing	1	26	70060512	Screw, for locking adjustment support	2
5	07060156	Retaining flange, clutch bearing	1	27	73170053	Spring washer, for screw at fig. 26	2
6	07060125	Clutch ball	1	28	74401522	Split pin, for lever at fig. 29	1
7	07060155	Thrust washer, for nut at fig. 8.	1	29	11060166	Lever, external, clutch control	1
8	02060122	Nut, for locking clutch ball	1	30	40060166	Lever, external, clutch control (for epicyclical starter)	1
9	73221112	Clutch, for splined collar	1	31	02060132	Return spring, for clutch lever	1
10	07060123	Splined collar, for clutch	1	32	02020210	Plate washer, for clutch lever	1
11	07060134	Thrust washer, for splined collar	1	33	02020209	Gasket, clutch lever	1
12	11060167	Nut, for locking splined collar	1	34	73260022	Clutch, clutch pull rod cup	1
13	11061046	Driving disc, cone lined	2	35	07060147	Back, clutch pull rod	1
14	02060120	Driver disc	2	36	73060205	Nut, for clutch pull rod	2
15	11060120	Pull rod, for clutch	1	37	02060153	Gasket, clutch cover plug	1
16	73220018	Clutch, retaining balls spacer	1	38	07060145	Plug, clutch cover	1
17	12060173	Spacer, for balls	1	39	11060205	Adjustment support, clutch control cable	1
18	75070532	Ball, for pull rod	10	40	02060157	Adjustment support, clutch control cable (for epicyclical starter)	1
19	11060169	Cap, clutch pull rod balls	1		08060126	Screw, fixing flange at fig. 5	2
20	02060106	End plate, clutch	1			Clutch ball, for electric starter motor	1
21	40060105	Spring, for clutch disc	6				
22	99092008	Retaining cap, for clutch springs	6				

Fig. No.	Part No.	Description	Quantity
1	15031013	Shaft gasket, selector box	1
2	714806114	Screw, for firing selector box	2
3	11030304	Centring bush, selector box	1
4	11030304	Shaft, gear selector lever	1
5	714204112	Screw, for firing selector box cover	2
6	11030303	Cover, gear selector box	1
7	11030315	Lever, gear control cable	1
8	12030315	Lever, gear control cable	1
9	72360012	Clutch, operating lever	2
10	72030005	Wart, for locking adjuster pin at Fig. 12	2
11	11030313	Spring washer, for nut at Fig. 9	2
12	11030208	Cover plate, adjuster pin	1
13	11030210	Adjuster pin, operating lever	1
14	11030313	Gasket, for inflator pin	1
15	74401522	Thickness washer, operating lever	1
16	11030211	Split pin, for adjuster pin	1
17	11030214	Return spring, selector operating lever	1
18	11030213	Adjustment washer, spring selector operating lever	1
19	11030307	Bush, gear selector	1
	12030307	Bush, gear selector (for epicyclic starter)	1

Fig. No.	Part No.	Description	Quantity
30	11330304	Transmission shaft	1
31	85003128	Rubber, for neutral gear on main shaft	24
	11031086	Neutral gear, on main shaft with bush at Fig. 23	1
	11031131	Neutral gear, on main shaft with bush at Fig. 23 (for LD/125)	1
32	11030106	Bush, for neutral gear	1
34	72330901	Clutch, internal gear selector lever	1
35	11031046	Lever, internal gear selector	1
36	83011201	Thickness washer, for lever at Fig. 25	1
37	11031011	Operating lever, for gear selector	1
38	07030103	Slip ring, gear selector	1
39	11030124	2nd gear, on layshaft	1
30	72360030	Clutch, retaining slip ring	1
31	11031091	Neutral gear, on layshaft with bush at Fig. 25	1
32	04030110	Shaft, for layshaft bush	2
33	11030104	Bush, for neutral gear on layshaft	1
	11031031	Layshaft	1
34	11031111	Layshaft (LD/125)	1
35	11030123	2nd gear, on main shaft	1
36	11031056	Main shaft	1
37	11030115	Thickness washer, main shaft	1
38	07330307	Ball bearing, main shaft	1



Lambretta

Fig. No.	Part No.	Description	Quantity	Fig. No.	Part No.	Description	Quantity
1	99094345	Cone washer, retaining bearing	2	12	07230307	Ball bearing	1
2	99094348	Thickness disc, for retaining plate	1	13	15045005	Screw, locking stub axle nut	1
3	99094336	Plate, retaining bearing	1	14	73179953	Spring washer, for screw at Fig. 23	1
4*	14010313	Ball bearing	1	15	19045046	Nut, for locking rear wheel stub	1
5	07230306	Plain washer, for nut at Fig. 6	1	16	83190016	Spring washer, for nut at Fig. 15	1
6	07230324	Castle nut, for locking bevel gear	1	17	74850445	Key, woodruff, stub axle	1
7	74400330	Spline pin, castle nut	1	18	13330311	Stub axle	1
8	07230300	Rear bevel couple, (2 13/45)	1	19	14010313	Ball bearing, for stub axle	1
	08330001	Rear bevel couple, (2 12/45)	1	20	07230313	Distance piece, for stub axle bearing	1
	07230307	Ball bearing	1	21	07230303	Shim, for bevel pinion	1
9	19030003*	Ball bearing	1	22	07230314	Cone washer, for bevel pinion bearing	1
	07230313	Oil seal, (20 x 25 x 10)	1	23	07230312	Thickness washer bevel pinion	1
10	07230304	Distance piece, for bevel pinion	1	24	07230314	Cone washer, for bevel pinion bearing	1
11	13330305*	Distance piece, for bevel pinion	1	25	73340030	Cardigan, retaining bevel pinion	1

* Also machine engine No. 161/051 (LD/150)
engine No. 323/050 (LD/155)

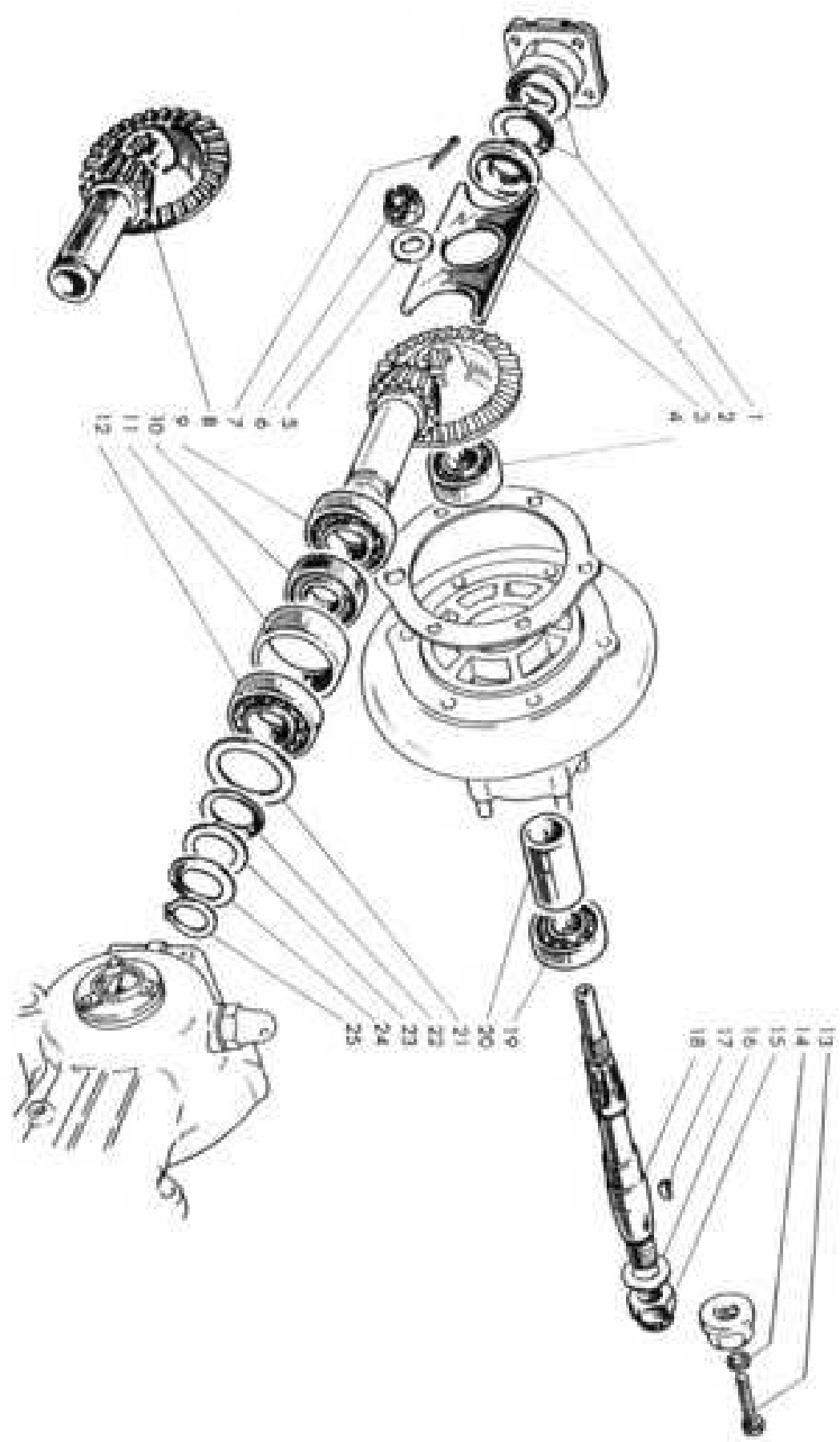


Fig. No. Part No.

Description

Quantity

*** KICK START SOLUTION 11 M 400/1 ***

1	07110403	Bevel pinion, (straight teeth, with 6 frontal dogs for bevel couple n. 11110001)	1
1	07110405	Bevel pinion, (spiral teeth, with 6 frontal dogs, for bevel couple n. 11110001)	1
2	07110421	Shaft, for bevel pinion	1
WARNING!!			
Components of the above type are also the following items: 16 - 17 - 18 - 19 - 20 - 21 - 22 - 23 - 24 - 27 - 28 - 29 - 30 - 31 - 32 - 33 - 34 - 37 - 43 - 44 - 45 - 46 - 47 - 48 - 49 - 51 - 53 - 55 - 56 - 57 - 58 - 59 - 60 - 61 - 62 - 63			
* KICK START SOLUTION 11 M 400/1 *			
3	11110441	Flange, retaining bearing	1
4	11110442	Ring, for k/starts pinion, packing	1
5	11110443	O2 seal, (22.5 x 20 x 7) for pinion	1
6	07230207	Ball bearing, for pinion	1
7	11110445	Grease, for bearings	1
8	72340026	Clutch, for washer at Fig. 10	1
9	07230214	Spring washer, for bearings	1
10	07230213	Thinnest washer	1
11	07230214	Spring washer, for bearings	1
12	07230207	Ball bearing, for pinion	1
13	11110444	Slam, for pinion	1
14	72340217	Clutch, retaining bearing	1
15	11111189	Bevel pinion, with pin (straight) teeth, with 6 frontal dogs, for bevel couple 11110000; Bevel pinion, with pin (spiral) teeth, with 6 frontal dogs, for bevel couple 11110001)	1

WARNING!!
Components of the above type are also the following items: 16 - 17 - 18 - 19 - 20 - 21 - 22 - 23 - 24 - 27 - 28 - 29 - 30 - 31 - 32 - 33 - 34 - 35 - 36 - 37 - 38 - 39 - 40 - 43 - 44 - 45 - 46 - 47 - 48 - 49 - 55 - 57 - 58 - 59 - 60 - 61 - 62 - 63.

Fig. No. Part No.

Description

Quantity

*** KICK START SOLUTION 11 M 400/2 ***

16	11110437	Rubber protection, k/starts pedal	(D)	1
	12110438	Rubber protection, k/starts pedal	(LD)	1
17	70200435	Screw, locking k/starts pedal		1
18	11110409	Pedal, k/starts	(D)	1
	12111091	Pedal, k/starts	(LD)	1
19	73170044	Spring washer, for nut at fig. 20		1
20	72020004	Nut, for screw at fig. 17		1
21	11110409	Cover, k/starts		1
22	02110116	Plain washer, for screw at fig. 24		1
23	02110111	Spring washer, for screw at fig. 24		1
24	71040030	Screw, fixing k/starts cover		1
25	02110116	Plain washer, for screw at fig. 27		1
26	02110111	Spring washer, for screw at fig. 27		1
27	71040018	Screw, fixing k/starts cover		1
28	07110407	Washer, for bevel pinion		1
29	72340023	Clutch, retaining bevel pinion		1
30	02110435	Pinion, k/starts		1
31	07110417	Caplet, k/starts cover		1
32	07110412	Screw, fixing support ring to cover		1
33	11110450	Screw, fixing k/starts cover		1
34	11110449	Screw, fixing k/starts cover		1
35	02110420	Spring, for k/starts bevel pinion		1
36	07110428	Washer, for spring		1
37	02110429	Clutch, k/starts bevel pinion pin		1
38	72040004	Nut, for screw at figs. 33 - 34		2
39	73170044	Spring washer, for nuts at fig. 38		2
40	72020044	Plate washer, for nuts at fig. 38		2
41	02110110	Plate washer, for screw at fig. 43		1
42	02110111	Spring washer, for screw at fig. 43		1
43	11110408	Threaded pin, fixing cover		1
44	72010022	Plain washer, for screws at fig. 46		2
45	73170033	Spring washer, for screws at fig. 46		2
46	72040216	Screw, fixing bevel pinion support		2
47	06110422	Spacing washer		1
48	72340015	Clutch, retaining pin		1

(D) (LD)

Fig. No.	Part No.	Description	Quantity	Fig. No.	Part No.	Description	Quantity
49	07110404	Notched quadrate	1	55	99091231	Sadd ring, for bevel pinion bush	1
50	11110403	Bush, 1/2" bevel pinion	1	56	02110429	Castfp, k/start bevel pinion pin	1
51	11111061	Support, bevel pinion with bushes at figs. 50-52	1	57	02060115	Pin, stopping return spring	1
52	11110419	Bush, bevel pinion	1	58	02110431	Shop, for spring guide	1
53	07110418	Carbide, for bevel pinion support	1	59	02110411	Return spring, k/start pedal	1
	11111183	Bevel pinion, with pin (knockoff teeth, with 6	1	60	73090006	Nut, for screw at fig. 32	1
		front dogs, for bevel couple (11110000)	1	61	11110413	Centering support, k/start cover	1
		Bevel pinion, with pin (medical teeth, with 6	1	62	07111031	Ring, stopping notched quadrate	1
		front dogs, for bevel couple (11110011)	1	63	07110412	Axle, k/start pedal	1
54	11111184						

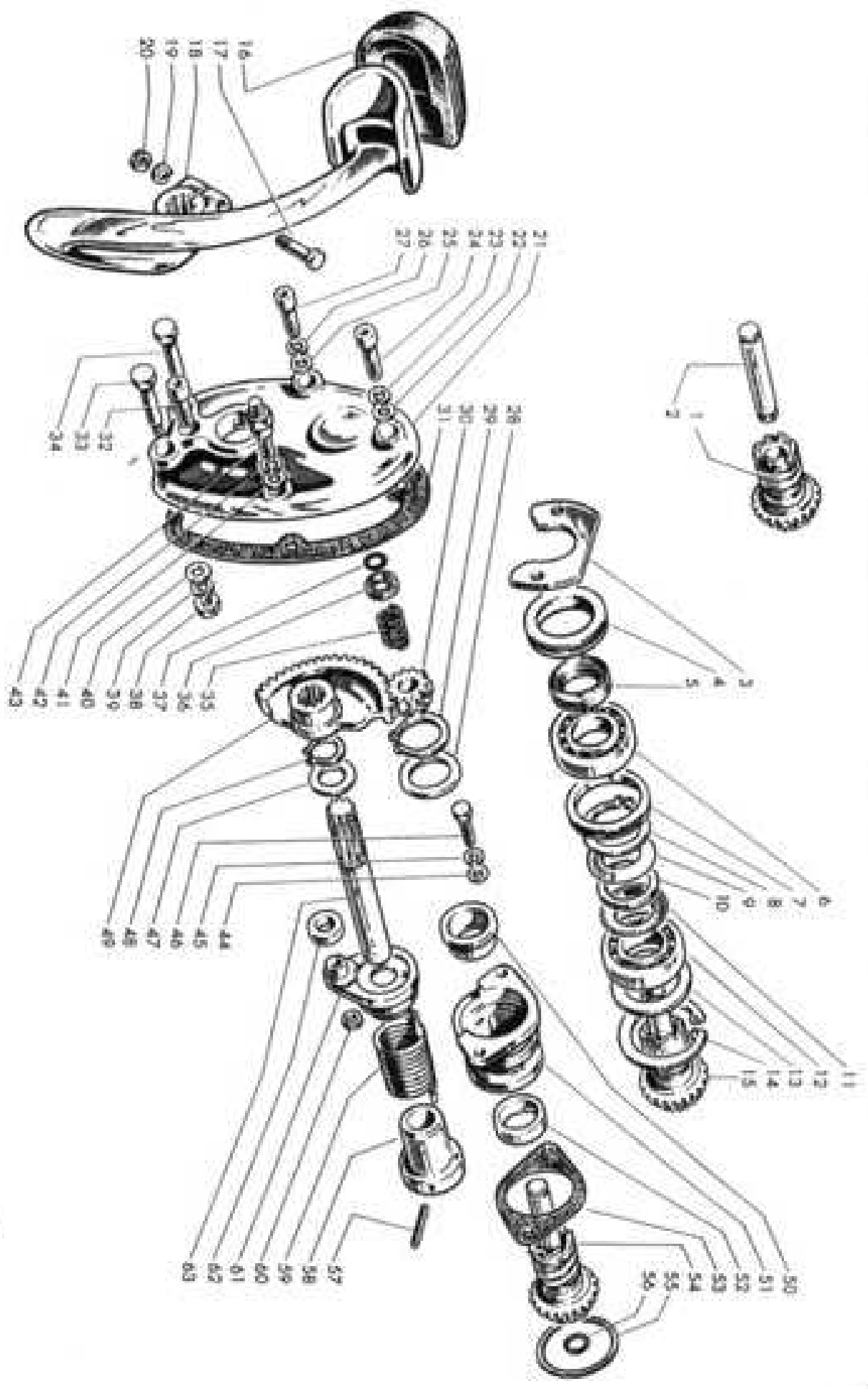
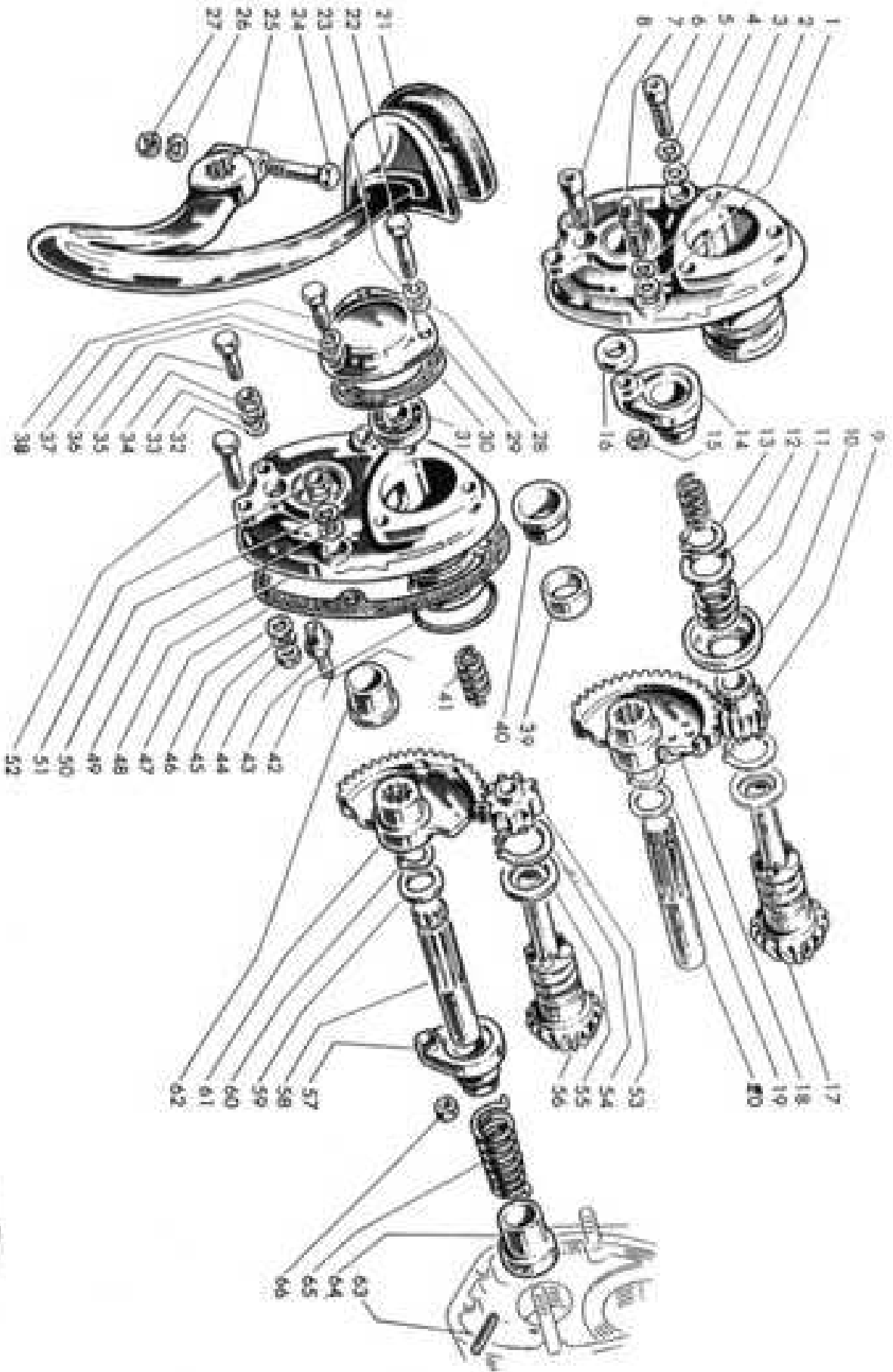


Fig. No.	Part No.	Description	Quantity	Fig. No.	Part No.	Description	Quantity
* KICK START SOLUTION 11 M 400/6 *							
1	02110110	Plain washer, for screw at fig. 7	1	24	70300423	Screw, locking k/start pedal	1
2	02110111	Spring washer, for screw at fig. 7	1	25	11110409	Pedal, k/start (D)	1
3	11111256	Cover, k/start with bushes at figs. 39-40-62	1	26	12111091	Pedal, k/start (D2)	1
4	02110116	Plain washer, for screw at fig. 6	1	27	73170064	Spring washer, for nut at fig. 27	1
5	02110111	Spring washer, for screw at fig. 6	1	28	72020026	Nut, for screw at fig. 24	1
6	71060418	Screw, fixing k/start cover	1	29	73020064	Plain washer, for screw at fig. 22	1
7	11110406	Threaded pin, fixing k/start cover	1	29	11111221	Cover, with ball bearing at fig. 31	1
8	07110413	Screw, fixing connecting support	1	30	11110472	Outlet, for cover	1
9	11110473	Pin, k/start	1	31	11110478	Ball bearing, for bevel pinion	1
10	11110477	Cap, pinion disengagement cover	1	32	72010064	Plain washer, for nut at fig. 24	1
11	11110480	Spring, for cap at fig. 10	1	33	73170064	Spring washer, for nut at fig. 24	1
12	11110479	Washer, for spring	1	34	72040006	Nut, for stop pin at fig. 43	1
13	72060017	Clutch, retaining k/start bevel pinion	1	35	70300440	Screw, fixing k/start cover	1
14	11110415	Centering support, for cover	1	36	72010053	Plain washer, for screws at fig. 28	2
15	72090006	Blat, for screw at fig. 8	1	37	73170053	Spring washer, for screws at fig. 28	2
16	11110481	Stop ring, for notched quadrant	1	38	70340316	Screw, fixing cover	2
	11111344	Bevel pinion, with pin through teeth, with 6 frontal dogs, for bevel couple (11110002)	1	39	11110419	Back, for k/start cover	1
17	11111251	Bevel pinion, with pin (metal teeth, with 6 frontal dogs, for bevel couple (11110001))	1	40	11110423	Back, for k/start cover	1
	11111276	Bevel pinion, with pin (metal teeth, with 6 frontal dogs, for bevel couple (11110002))	1	41	02110420	Return spring, for pinion	1
18	11111216	Notched quadrant	1	42	99091231	Seal ring	1
19	04110423	Spring washer	1	43	11110494	Stop pin, connecting support	1
20	07110412	Pin, k/start pedal	1	44	72060006	Nut, for screws at fig. 25-32	1
		WARNING:		45	73170064	Spring washer, for nuts at fig. 44	2
		Component of the above type are also the following items: 21 - 27 - 28 - 29 - 34 - 35 - 36 - 37 - 38 - 39 - 41 - 42 - 44 - 45 - 46 - 47 - 52 - 54 - 55 - 60 - 63 - 64 - 65		46	72020064	Plain washer, for nuts at fig. 44	2
		* KICK START SOLUTION 11 M 400/6 *		47	07110417	Outlet, for k/start cover	1
21	11110437	Rubber protection, k/start pedal (D)	1	48	11111254	k/start cover, with bushes at figs. 39-40-62	1
22	72020048	Rubber protection, k/start pedal (D2)	1	49	02110110	Plain washer, for nuts at fig. 51	2
23	73170064	Screw, fixing k/start cover	1	50	02110111	Spring washer, for nuts at fig. 51	2
				51	11110487	Special nut	2
				52	11110450	Screw, fixing k/start cover	1
				53	11110492	Pinion, k/start	1
				54	72040072	Clutch, retaining k/start bevel pinion	1
				55	07110407	Thrust washer, for bevel pinion	1
					11111271	Bevel pinion, with pin (metal teeth, with 3 frontal dogs, for bevel couple (11110001))	1
					11111281	Bevel pinion, with pin (metal teeth, with 3 frontal dogs, for bevel couple (11110002))	1



Jambretta

Fig. No.	Part No.	Description	Quantity	Fig. No.	Part No.	Description	Quantity
57	11110484	Centering support, k/starter cover	1	62	11110423	Back, guiding notched quadrant	1
58	11110498	Axle, k/starter pedal	1	63	02060115	Pin, stopping return spring	1
59	11110497	Spacing washer	1	64	02110421	Stop ring, for spring	1
60	73260015	Crdge, retaining notched quadrant	1	65	02110411	Return spring, k/starter pedal	1
61	11111261	Notched quadrant	1	66	73030004	Nut, for pin at Fig. 43	1

Fig. No.	Part No.	Description	Quantity	Fig. No.	Part No.	Description	Quantity
1	12110426	Rubber protection, k/steer pedal	1	33	12111476	Cover, k/steer	1
1	12110426	Rubber protection, k/steer pedal at fig. 2	1	34	70200833	Bole, for fixing k/steer cover	2
—	12111496	k/steer group, complete with figs. 2 - 3 - 4 - 5 - 9 - 10 - 26 - 27	1	35	12110408	Washer, k/steer bevel pinion	2
2	12111301	Pedal, k/steer	1	36	72560026	Circlip, k/steer bevel pinion	1
3	70200838	Bole, k/steer boss	1	37	12110417	Pinion, k/steer	1
4	12110442	Body, k/steer pedal	1	38	12110418	Spring, k/steer bevel pinion pin	1
5	12110429	Plug, satellite shaft	1	39	12110420	k/steer spacers	1
6	12110440	Gasket, for plug	1	40	12110426	Body, carrier shaft	2
7	72360074	Circlip, k/steer pedal	1	41	12111291	Carrier, for satellite gear shaft complete with figs. 40 - 44 - 45	1
8	12110445	Return spring, k/steer pedal	1	42	12110449	Washer, for screws at fig. 43	4
9	73170084	Spring washer, for nut at fig. 10	1	43	70200620	Form, for fixing crown wheel to cover	4
10	72030008	Nut, for bolt at fig. 3	1	44	12110423	Support ring, pedal return spring	1
11	12110430	Spacer, k/steer pedal	1	45	72710210	Ring, for fixing support ring	4
12	12110429	Oil seal, 147 x 24 x 7, k/steer cover	1	46	74401522	Split pin, for screws at fig. 49	2
13	12110406	Body, k/steer cover	2	47	72620044	Pin, washer, for screws at fig. 49	2
14	12110441	Nut, for bolt at fig. 19	2	48	12110447	Pin, for fixing nuts at fig. 48	2
15	73170084	Spring washer, for nuts at fig. 14	2	49	12110428	Pin, washer, for screws at fig. 50 - 59	2
16	72000084	Plain washer, for nuts at fig. 14	2	50	12110422	Crown wheel, satellite gear shaft	1
17	12110419	Thrust washer, k/steer shaft spring	1	51	12110404	Gasket, k/steer body	1
18	11110478	Bearing, k/steer pinion	1		12111486	Bevel pinion, with pin (helical teeth, for bevel couple 11110001)	1
19	70200845	Bole, fixing k/steer cover	1	52	12111491	Bevel pinion, with pin (conical teeth, for bevel couple 11110002)	1
20	73170084	Spring washer, for bolt at fig. 19	1				
21	72620084	Plain washer, for bolt at fig. 19	1	53	99094356	Gasket ring, for k/steer body	1
22	72000064	Plain washer, for nuts at fig. 24	6	54	12110402	Body, for guiding bevel pinion	2
23	73170064	Spring washer, for nuts at fig. 24	6	55	12110423	Ring, satellite gear pin	4
24	72030004	Plug, for screws at figs. 43 - 48	6	56	12110421	Satellite gear	2
25	87020008	Grease nipple	1	57	12110422	Pin, satellite gear	2
26	74400330	Split pin, for locking k/steer pedal	1	58	12110403	Body, for guiding quadrant gear	1
27	83011201	Washer, for pedal pin	1	59	12111471	Body, k/steer with bushes at figs. 54 - 58	1
28	72360024	Circlip, k/steer pedal	1	60	72620084	Plain washer, for nuts at fig. 62	2
29	12110431	Return spring, k/steer pedal	1	61	73170084	Spring washer, for nuts at fig. 62	2
30	12110448	Packing ring, crown wheel	1				
31	12110404	Gasket, k/steer cover	1	62	72020008	Nut, for screws at fig. 34	2
32	12041924	Return buffer, k/steer pedal	1				

EPICYCICAL STARTER

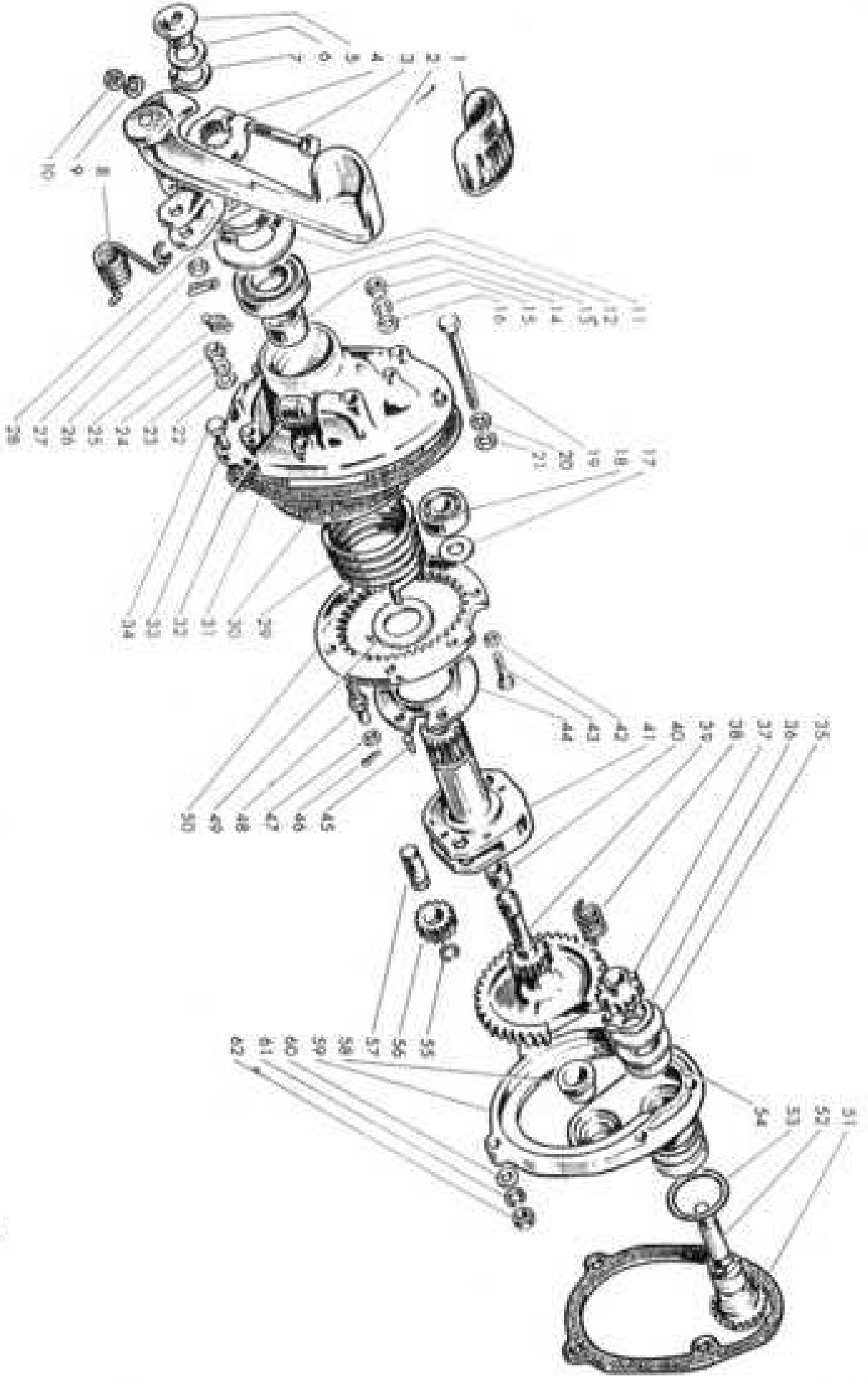


Fig. No.	Part No.	Description	Quantity	Fig. No.	Part No.	Description	Quantity
1	12171026	Rod, for petrol tap control	1	28	00412096	1488	Filter jet 55
2	14070101	Gasket, for petrol tap	1	—	00412122	MA 19 S 4	Carburettor, without air filter (D/150)
3	14070101	Gasket, for petrol tap	1	—	00412128	MA 19 S 4	Carburettor, without air filter (D/150)
4	00412187	2340	1	—	00412142	MA 18 E 4	Carburettor, without air filter (D/125)
5	15071002	Governor, petrol tap control rod	1	39	00412122	2037	Layer, choke control
6	12171024	Petrol tap (D)	1	40	00412128	2124	Fulcrum lever, choke control
7	99097012	Traveler - Jambrella - (D)	2	41	00412048	2420	Pin, for fulcrum lever
8	12170105	Filter cap, fuel tank (without breaker)	1	42	00412037	2231	Operating rod, for air slide
9	12170109	Ring, locking fuel tank	1	43	00412127	2111	Cover, carburettor body (D)
10	12170112	Washer, for ring at fig. 9	1	43	00412141	2282	Cover, carburettor body (D)
11	02170105	Thickness washer	2	44	00412021	1481	Screw, firing carburettor cover
12	99098404	Down nut, firing fuel tank	1	45	00412002	1409	Spring, for air slide
13	73030084	Plain washer, for nut at fig. 12	1	46	00412005	1414	Gasket, for carburettor cover
14	12170108	Rubber washer, for fuel tank through support	1	47	00412001	1407	Retaining clip, main jet needle
15	12171021	Support support, fuel tank	1	48	00412095	1421	Air slide 75
16	12171044	Fuel tank (D)	1	49	00412098	2290	Plate
17	11170204	Percol pipe	1	50	00412135	2245	Needle D-2
18	99097040	Filter cap, fuel tank (with breaker)	1	51	00412127	2232	Carburettor body
19	99097007	Gasket, filter cap	1	—	00412144	2402	Carburettor body (D/125)
20	14070102	Gasket, petrol tap	1	52	00412027	1407	Needle, for float
21	14070101	Gasket, petrol tap	1	53	12110716	—	Filter base (D/epicyclic carrier)
22	08171061	Percol tap (D)	1	54	12111431	—	Clip, firing filter base
23	73030005	Nut, for screw at fig. 25	1	55	70910420	2889	Screw, for firing clip at fig. 54
24	73170082	Spring washer, for screw at fig. 25	1	—	00412180	2889	Air filter, P18, complete with figs. 56-57
25	70302040	Screw, firing fuel tank	1	—	—	—	- 58 - 59 - 60 - 61 - 62 - 63 (D/epicyclic starter)
26	11170204	Percol pipe	1	56	00412184	2782	Filter body
27	12111431	Clip, retaining filter hose	1	57	00412121	2121	Tab washer, locking nut
28	70910420	Screw, firing clip at fig. 27	1	59	00412122	2124	Nut, locking filter body
29	99097008	Anti-brush rubber, for fuel tank	1	59	00412120	2181	Spacer, for filter element
30	11171001	Fuel tank (D)	1	60	00412121	2121	Filter element
31	73060004	Counter nut, firing fuel tank	1	61	00412182	2828	Gasket, for/and plate
32	04170108	Anti-brush washer, for screw at fig. 34	1	62	00412186	2859	End plate, with caps retaining filter element
33	72010064	Plain washer, for screw at fig. 34	1	63	00412121	1208	Screw, firing end plate
34	70300622	Screw, firing fuel tank	1	64	00412049	1972	Nut, locking fulcrum lever pin
35	00412042	Screw, pilot jet adjustment	1	65	00412020	1281	Spring washer, for nut at fig. 64
36	00412004	Spring, adjustment screws	2	66	00412028	2282	Gasket, for operating rod
37	00412026	Screw, guiding and stopping air slide	1				

Fig. No.	Part No.	Description	Quantity	Fig. No.	Part No.	Description	Quantity
67	00412653	Rubber, dust protector	1	87	73020105	Plate washer, for nut at fig. 89	1
68	00412654	Gasket, for filter bowl	1	88	73170105	Spring washer, for nut at fig. 89	1
69	00412654	Counter nut, for adjustment screw	1	89	73070010	Nut, for choke control knob support	1
70	00412655	Adjustment screw	1	90	12111226	Cable, choke control	1
71	00412657	Filter	1	91	00412148	Adjuster, for choke control cable	1
72	00412658	Spring, for filter	1	92	00412654	Counter nut, for adjuster	1
73	00412652	Seat, for needle	1	93	00412181	Adjuster nut, for choke control cable	1
74	00412124	Circlip, retaining needle	1	94	00412182	Spring, for choke control cable valve	1
75	00412659	Bowl, for filter	1	95	00412140	Valve, choke control	1
76	00412126	Gasket, starter jet	1	96	11110207	Gasket, for induction manifold	1
77	00412125	Starter jet 50	1	96	11110225	Gasket, for induction manifold (LD/125)	1
77	00412129	Starter jet 75	1	97	11110225	Manifold induction	1
78	00412660	Clip, for retaining filter bowl	1	98	70260018	Manifold induction (LD/125)	1
79	00412697	Assembly 255 lb	1	98	73170004	Screw, fixing induction manifold	2
80	00412126	Main jet 72	1	99	73020004	Spring washer, for screws at fig. 98	2
80	00412017	Main jet 75 (LD epicyclical starter)	1	100	73020004	Plate washer, for screws at fig. 98	2
81	00412100	Main jet 68 (LD/125)	1	101	00412061	Ring, for securing carburetor	1
82	00412056	Gasket, main jet plug	1	102	00412062	Screw, for ring at fig. 101	1
82	00412018	Plug, main jet	1	103	00412121	Filter element	1
83	00412115	Air filter, F 14, complete with figs. 83-84, 103, 104, 105, 106, 107, 108	1	104	00412120	Spacer, for filter element	1
84	00412142	Frame, for securing filter body end plate	2	105	00412122	Nut, locking end plate	1
85	1211161	Filter body, complete with edges	1	106	00412119	Gasket, for filter body	1
86	12110708	Knob, choke control	1	107	00412121	Tab washer, for nut at fig. 105	1
86	12110708	Support, for choke control knob	1	108	00412120	End plate, filter body	1

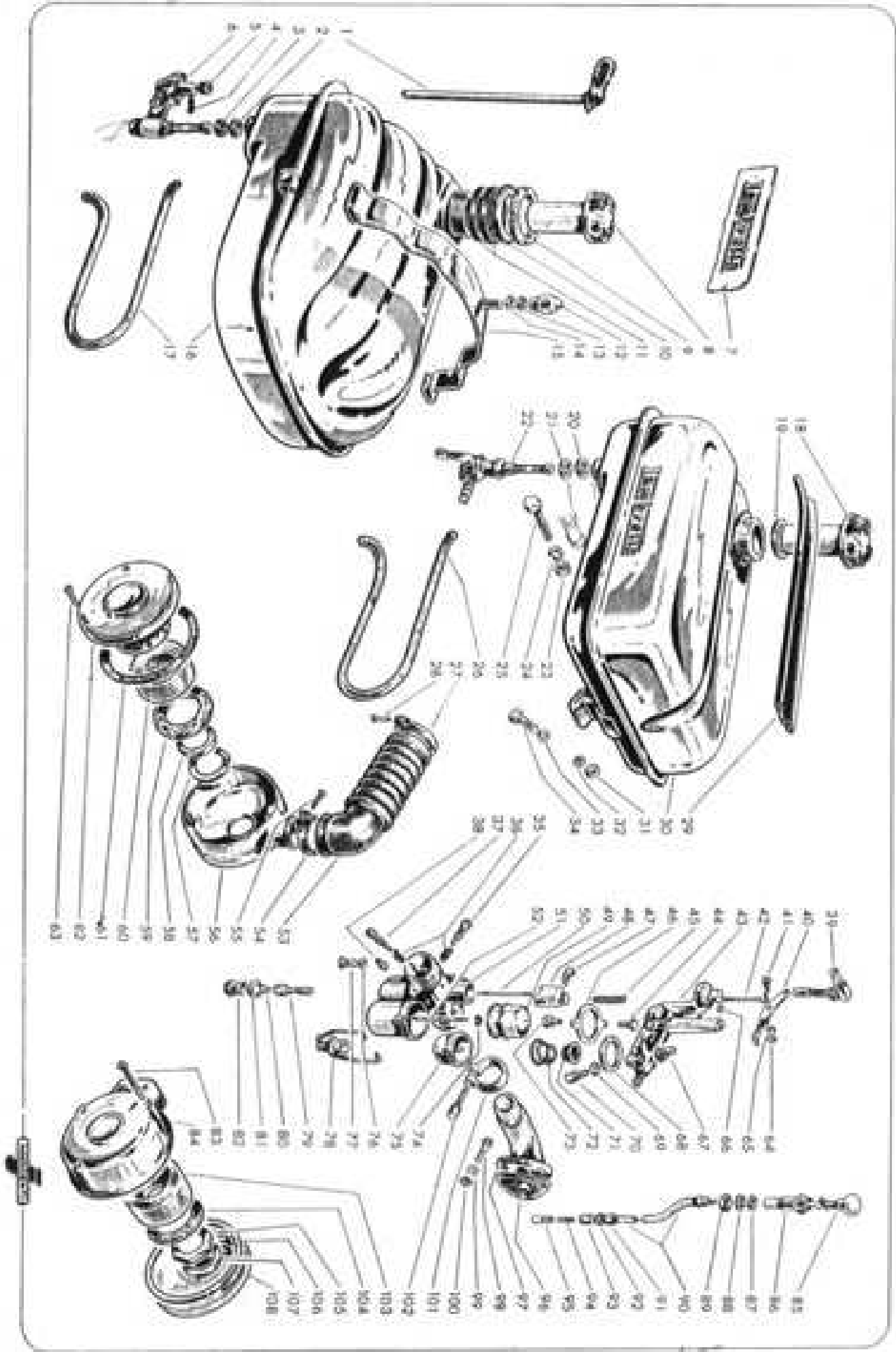


Fig. No.	Part No.	Description	Quantity	Fig. No.	Part No.	Description	Quantity
1	07180405	Gasket, for silencer	1	18	12180003	Silencer, complete with figs. 19 - 20 - 21 - 22 (LD)	1
2	72040008	Nut, for fixing exhaust tube	1	19	12181421	Exhaust tube	1
3	73120084	Spring washer, for nut at fig. 2	1	20	70440315	Screw, fixing exhaust tube	1
4	11180449	Gasket, for exhaust tube	1	21	12180486	Clamp, fixing exhaust tube	1
5	11181206	Exhaust tube	1	22	72020005	Nut, for screw at fig. 20	1
6	11184001	Silencer, complete with figs. 2 - 3 - 4 - 5 - 6 - 7 - 8 - 9 (D/150)	1	23	70410814	Screw, fixing exhaust tube	1
7	11180458	Plug, with extension for silencer	1	24	11180400	Silencer, complete (D)	1
8	12024023	Plug, for silencer	1	25	12180400	Silencer, complete (LD)	1
9	11180449	Wire, for securing silencer plugs	1	26	70300535	Screw, fixing exhaust tube to silencer	1
10	99095427	Grab, for securing bush	1	27	11181161	Exhaust pipe (D)	1
11	99095426	Bush, for end plate rod	1	28	12181191	Exhaust pipe (LD)	1
12	99095428	Gasket, for bush	1	29	73170053	Spring washer, for screw at fig. 25	1
13	07181111	End plate, with support	1	30	72000005	Nut, for screw at fig. 25	1
14	07180422	Gasket, for end plate	2	31	07181141	End plate, with rod	1
15	07180424	Spacer	1	32	11181164	Nut, for screws at figs. 23 - 23	1
16	11181146	Studing diaphragm, with tubes	1	33	11181164	Plate, fixing exhaust pipe	1
17	11180439	Fiber (D)	1		73170084	Spring washer, for screws at figs. 23 - 23	1
	12180439	Fiber (LD)	1		11180442	Screw, for fixing exhaust pipe	1

EXHAUST SILENCERS COMPONENTS

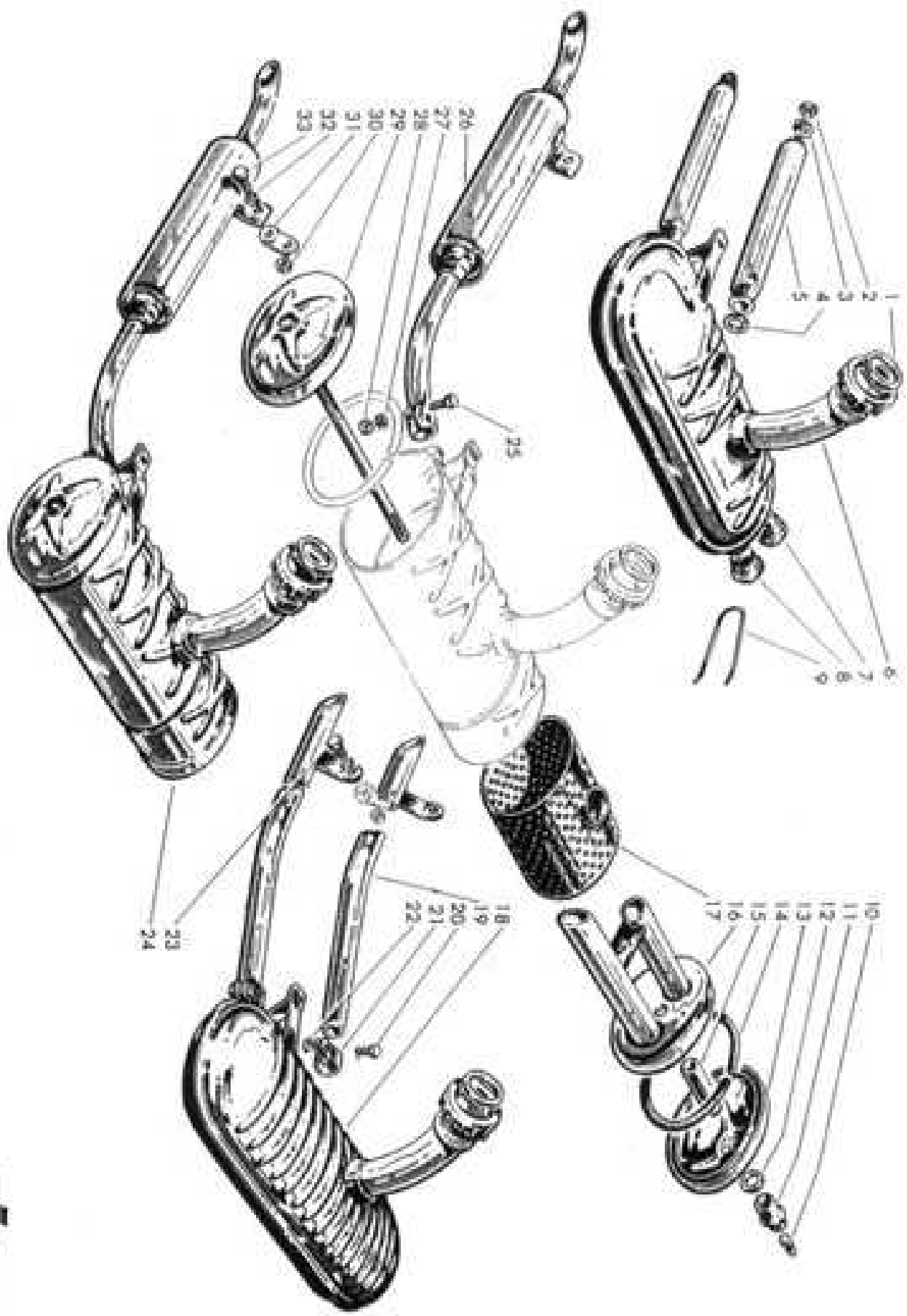


Fig. No.	Part No.	Description	Quantity	Fig. No.	Part No.	Description	Quantity
1	—	Not supplied, if necessary to replace the engine cover with figs. 5-16	—	10	71220523	Screw, fixing flange	1
2	70920407	Screw, fixing engine cover	2	11	71430409	Screw, fixing main cover	2
3	63100004	Spring washer, for screw at fig. 2	2	12	11110514	Spring washer, for screws at fig. 11	2
4	11111116	Engine cover, drive side	1	13	11110506	Cover, for main cover	1
5	11111266	Engine cover, drive side	1	14	15014009	Clasp, for dust protector cover	1
6	73170053	Spring washer, for screws at fig. 15	2	15	70910509	Screw, fixing engine cover	2
7	73000005	Nut, for screws at fig. 15	2	16	11111261	Engine cover, flywheel side	1
8	11110505	Flange, flywheel side cover	1	17	15014010	Cover, dust protector	1
9	11110505	Flange, flywheel side cover	1	18	70910513	Screw, fixing engine cover to flange	2
9	73170053	Spring washer, for screw at fig. 10	1	19	73170053	Spring washer, for screws at fig. 18	2

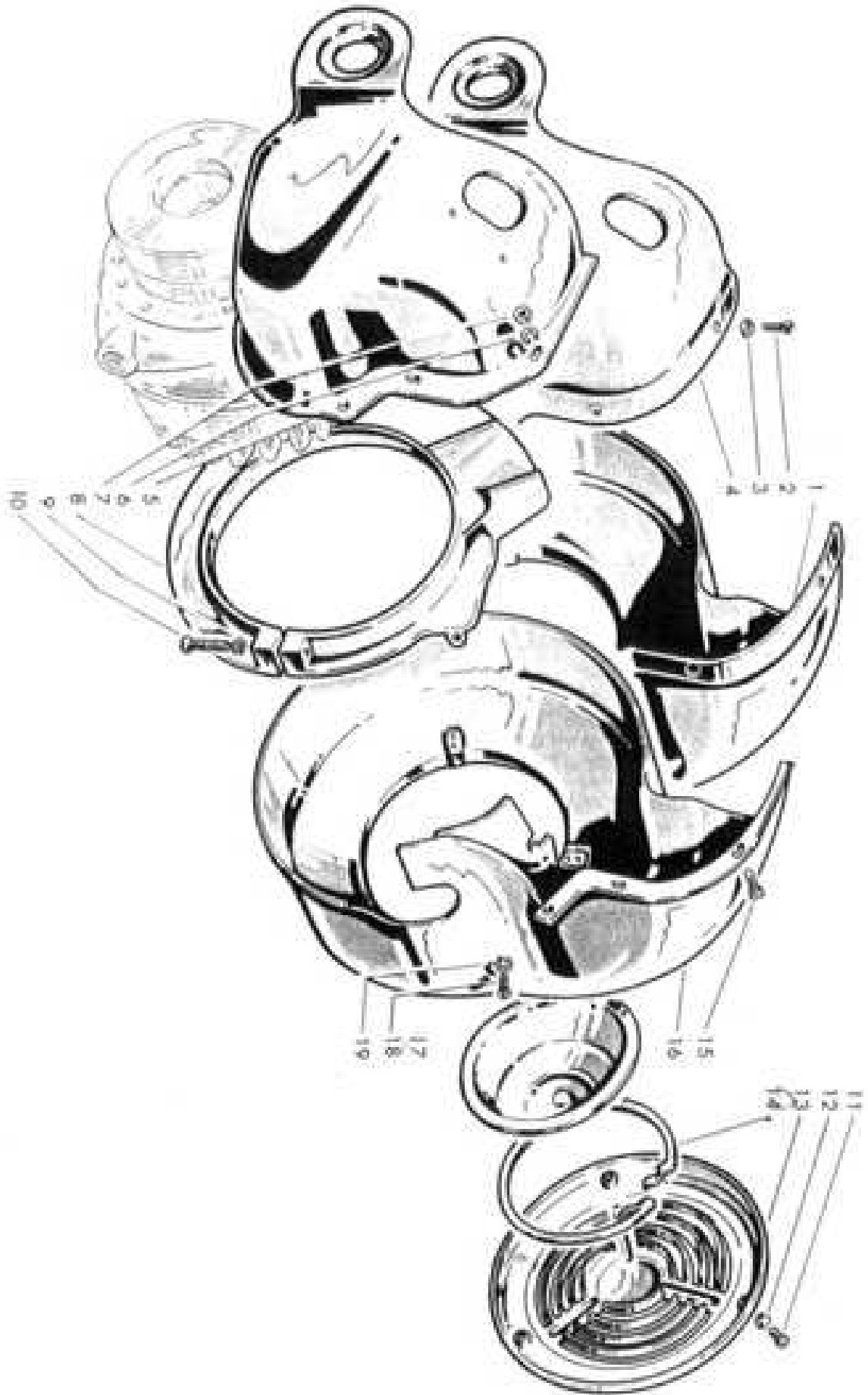


Fig. No.	Part No.	Description	Quantity	Fig. No.	Part No.	Description	Quantity
1	07180160	Bush, section bar support lever	1	19	11180131	Clamp, fixing cables (D)	1
2	{ 12181254 12181274	Frame, with bush at Fig. 1 (D)	1	20	87020028	Grease nipple, for torsion bar lever	1
3	12180177	Frame, with bush at Fig. 1 (D)/electric starter)	1	21	07180405	Spooling washer, torsion bar lever	1
4	70300540	Clamp, fixing cable (D)	2	22	07180408	Protection ring, torsion bar lever	1
5	{ 11180501 12180504	Screw, for fixing cable clamps (D)	1	23	07180404	Tension bar	1
6	72020003	Centre stand (D)	1	24	07180407	Spooling washer, torsion bar	2
7	83100005	Nut, for screw at Fig. 4 (D)	1	25	73240039	Crutch, retaining torsion bar	2
8	06180510	Plain washer, for screw at Fig. 4 (D)	1	26	07180409	Protection cap, torsion bar	2
9	07180502	Returns spring, centre stand	1	27	11180167	Bolt, for fixing shock absorber, lower part (D-LD/150)	1
10	11181194	Pin, centre stand	1	28	11181151	Shock absorber, (D-LD/150)	1
11	07180503	Frame, with bush at Fig. 1 (D)	1	29	72020084	Plain washer, for fixing shock absorber (D-LD/150)	3
12	{ 72040012 74400330	Bush, centre stand pin	2	30	73170084	Spring washer, for bolt at Fig. 27 (D-LD/150)	1
13	07180504	Crutch, for centre stand pin	2	31	73020008	Nut, for fixing shock absorber (D-LD/150)	2
14	12181061	Split pin, for centre stand pin	2	32	07180411	Grease nipple, for needles cages	2
15	73000003	Rebound buffer, centre stand	1	33	07181086	Link, torsion bar lever	1
16	07180615	Buffer, for side panel	2	34	07181086	Needle cage	2
17	07180601	Nut, for fixing buffer	2	35	07180619	Washer, for needle cage	2
18	07180616	Safety washer, lever link pins	2	36	07180612	Pin, torsion bar link	1
		Lever, torsion bar	1	37	73240039	Crutch, retaining pins	4
		Rebound buffer	1	38	07180612	Pin, torsion bar lever	1
			1	39	11181152	Shockback, for shock absorber	2

Fig. No.	Part No.	Description	Quantity	Fig. No.	Part No.	Description	Quantity
1	07771121	Front fork, with bushes at fig. 23	1	29	99046258	Thickness washer, for swing grip	2
2	99104051	Spring, front suspension	2	30	12770423	Throat washer, for clutch and brake lever pin	2
3	07771046	Plate, front suspension spring guide	2	31	14040311	Nut, for lever pin	2
4	70340514	Screw, fixing front mudguard	2	32	07770422	Pin, for clutch and front brake lever	2
5	73170044	Spring washer, for screws at fig. 4	2	33	71430430	Screw, for support	2
6	67030008	Grease nipple, linkage box and suspension spring	4	34	12770527	Sheath, throttle cable (for machine with stem at fig. 29)	1
7	99104053	Gasket, linkage box cover	2	35	11771136	Lever, for clutch and front brake	1
8	99104064	Bush, linkage box cover	2	36	72040026	Nut, support screws	2
9	99104040	Cover, linkage-box	2	37	71430538	Screw, fixing handlebar case	2
10	73170053	Spring washer, for screws at fig. 11	6	38	60130005	Spring washer, for screws at fig. 37	1
11	99104048	Screw, fixing linkage box cover	6	39	12771148	Cowl, handlebar	1
12	73020052	Plain washer, for screws at fig. 11	6	40	07770227	Screw, for locking handlebar tube	2
13	99104062	Link lever, right hand	1	41	73170064	Spring washer, for screws at fig. 40	2
14	99104057	Rubbered buffer, fork spring	2	42	73150084	Plain washer, for screws at fig. 40	2
15	99104054	Gasket, for end plug	2	43	12770224	Cover, for handlebar support	1
16	99104067	Plug, fork end	2	44	11770220	Tube, handlebar	1
17	19030044	Spacing washer, for trailing link	2	45	12770228	Sleeve, fixing handlebar cowl	1
18	99104056	Trailing link, right hand	1	46	73170053	Spring washer, for screws at fig. 47	2
19	72020074	Plate washer, for screws at fig. 20	2	47	71200514	Nut, for screws	2
20	99104058	Bolt, for fixing trailing link	2	48	72000028	Spring washer, for handlebar	1
21	99104057	Trailing link, left hand	1	49	73170084	Spring washer, for nut at fig. 48	1
22	99104061	Link lever, left hand	1	50	73150084	Plain washer, for nut at fig. 48	1
23	99104065	Bush, link lever	2	51	07770222	Sleeve, gear and throttle cable control	2
24	99104066	Ball ring, link lever	2	52	04770220	Orbit, for sleeve	4
	12771144	Handlebar complete with figs. 25 - 26 - 27 - 28 - 29 - 30 - 31 - 32 - 33 - 35 - 36 - 40 - 41 - 42 - 43 - 44 - 51 - 52 - 53 - 67 - 70 - 71 - 72	1	53	07770423	Headlight	2
		Support, front brake lever	1	54	71200410	Screw, for fixing ring	1
25	11770419	Support, front brake lever (D electric starter)	1	55	60130004	Ring, for holding control cable	1
	12870405	Support, front brake lever (D electrical starter)	1	56	12770229	Cone, for steering adjustment ball race	1
26	71270402	Cone washer, throttle cable	1	57	07770216	Ball race, steering adjustment	1
27	11771231	Sleeve, throttle control	1	58	15041640	Ball race, steering adjustment ball race	1
28	99090207	Swamp plug, for rear grip	2	59	07770215	Ball, for steering adjustment ball race	1

* For replacement of the handlebar onto Lambretta 150 LD with electric starter and 150 D-ED without electrical starter it is necessary to replace the sockets 12770423 with 12770422 or 12770425 with 11770419.

Fig. No.	Part No.	Description	Quantity	Fig. No.	Part No.	Description	Quantity
60	05180124	Crank, for locking steering guide bush	1	72	11771011	Support, clutch lever	1
	07770029	Bush, steering guide (D)	1	73	11770009	Shaft, gear change cable (for machines with beam at Fig. 39)	1
	06770029	Bush, steering guide (LD)	1				
61	12770033	Bush, steering guide (LD - epicyclical starter)	1	74	12011646	Steering lock, with keys (LD electric starter)	1
	12771026	Shaft, for throttle and front brake cable (for machines without beam at Fig. 39)	1		99100810	Steering lock, with keys	1
63	12010003	Ballbearing, for beam	1	75	15081007	Key, for steering lock n. 12011646	2
64	71500012	Screw, fixing horn ballbearing	1		15080005	Key, for steering lock n. 99100810	2
65	11770025	Anti-rotation gasket, for handlebar support	1	76	99100811	Spading washer, for steering lock	1
66	07770026	Ball, locking handlebar	1	77	12771026	Shaft, gear change, front brake and switch cable (for machines without beam at Fig. 39)	1
67	07770023	Support, handlebar	1				
68	15041018	Ring, steering adjustment	1	78	99096108	Protection, lower, steering ball race (D)	1
69	12770021	Plastic tube, cabinet protection	1		05770121	Protection, lower, steering ball race (LD)	1
70	11770001	Indicator support, for gear shift	1	79	40770028	Upper cone, lower steering ball race	1
71	06770011	Spading washer, for handlebar	1	80	15040005	Ball race, steering adjustment	1
				81	15090028	Cone, for lower steering ball race	1

Fig. No.	Part No.	Description	Quantity	Fig. No.	Part No.	Description	Quantity
1	15044070	Dress nut, front wheel axle	1	28	99094434	Cradle, front brake shoe pin	1
2	15044014	Flute washer, for nut at Fig. 1	1	29	99094419	Return spring, front brake shoes	1
3	72070912	Nut, locking front wheel bearing	1	30	99094450	Shoe, front brake, complete with lining	2
4	13160112	Distance piece, L.H. (for oil seal 02160137) (D-LD)	1	31	99104429	Operating cam, front brake	1
	13160142	Distance piece, L.H. (for oil seal 15044011) (LD)	1		11160121	Operating cam, front brake (after machine n. 235761 for LD/150 and n. 244945 for LD/125)	1
5	02160137	Oil seal, (17 x 32 x 7) front wheel	1		02161064	Back plate, for front wheel hub, without dust protector	1
6	15044011	Oil seal, (17 x 32 x 7) front wheel	1		11161071	Back plate, for front wheel hub, with dust protector	1
7	723250023	Cradle, retaining front wheel bearing	1		02160801	Sleeve, rear wheel hub	3
8	15044005	Bearing, front wheel	1		99094430	Shoe, rear wheel, complete with lining	2
9	99094404	Dress nut, for fixing front and rear wheels to hubs	4		99094404	Lining, rear brake shoes	2
10	72170084	Spring washer, for nuts at Figs. 8 - 10	12		99094431	Shoe, brake shoe lining	16
11	72000008	Nut, for securing wheel rim	4		99094507	Return spring, rear brake shoes	1
12	02160808	Rim, L.H. front wheel	1		02320046	Back, rear brake operating cam	1
13	99094423	Type, 4.00" x 6"	2		12160142	Operating cam, rear brake shoes	1
14	99094426	Inner tube, 4.00" x 6"	2		23560011	Operating cam 11160121 (LD)	1
15	02161034	Rim, R.H. for front wheel	1		99094400	Cradle, retaining operating cam 11160121 (LD)	1
16	87020006	Grass nipple, front wheel hub	1		11161045	Lever, front brake shoes for operating cam 99104429 (D-LD)	1
17	87020008	Grass nipple, front wheel hub	1		15044005	Lever, front brake shoes for operating cam 11160121 (LD)	1
18	19044004	Axle, front wheel	1		99094416	Nut, for locking front wheel bearings	1
19	02160111	Spacers, for bearings	1		15044014	Spanding washer, R.H. front wheel axle	1
	11161045	Hub, front wheel with dust protector, complete with Fig. 23	1		15044070	Plate washer, for nut at Fig. 45	1
19	15044005	Ball bearing	1		02160801	Dress nut, front wheel axle	1
20	06160139	Distance piece, R.H. (for oil seal 02160137) (D-LD)	1		72070912	Nut, for fixing operating cam 99104429 (D-LD)	1
	13160141	Distance piece, R.H. (for oil seal 15044011) (LD)	1		72000008	Nut, for fixing operating cam 11160121 (LD)	1
21	02160137	Oil seal, (17 x 32 x 10) front wheel	1		72010064	Flute washer, for nut at Fig. 47	1
	15044011	Oil seal, (17 x 32 x 7) front wheel	1		83110008	Spring washer, for nut at Fig. 47	1
22	03160801	Steel, front wheel hub	2		07320047	Washer, operating cam bush	1
23	03160808	Rim, L.H. rear wheel	1		07320031	Washer, cam bush locking nut	1
24	03161034	Rim, R.H. rear wheel	1		07320030	Nut, for locking cam bush	1
25	11161044	Hub, rear wheel with dust protector, complete with Fig. 23	1				
26	99094431	Rivet, brake shoe lining	16				
27	99094418	Lining, front brake shoe	2				

* It is suggested in replacement of the hub without dust protector, in any case also the back plate Fig. 02161064 must be replaced with part number 11161071 at Fig. 32. ** It is suggested in replacement of the hub without dust protector, in any case also the back plate No. 02320012 must be replaced with part number 11031016 at Fig. 41 - section 1.



Lambretta

Fig. No.	Part No.	Description	Quantity	Fig. No.	Part No.	Description	Quantity
52	0733033	Tab washer, cam bush locking nut	1	54	7326011	Cable, returnng rear brake operating lever	1
53	8700006	Grazez alpha, for operating cam	1	55	0733033	Operating lever, rear brake control	1

Fig. No.	Part No.	Description	Quantity
1	11010464	Cover, for battery (SCAHN) (D-LD/150)	1
2	19081033	Cover, for battery (P1AAM) (D-LD/150)	1
3	14080102	Protection cap, for battery terminal (D-LD/150)	1
4	11011177	Earth wire, for battery (D)	1
5	19081179	Battery, complete with cover (D-LD/150)	1
6	70880430	Screw, for strap retaining battery (D)	1
7	15081079	Threaded nut/washer (D)	1
8	15081031	Washer (D)	1
9	72030006	Nut, for screws at Fig. 10 (D)	2
10	73170033	Spring washer, for nuts at Fig. 8 (D)	2
11	71340312	Screw, fixing battery support (D)	2
12	11011491	Support, battery (D)	1
13	70880406	Screw, locking earth wire (D)	1
14	73170043	Spring washer, for screw at Fig. 12 (D)	1
15	11010611	Gasket, for number plate support (D)	1
16	07011231	Support, for number plate (D)	1
17	07010403	Spacer, upper, for number plate support (D)	1
18	71930023	Screw, fixing number plate (D)	2
19	11010408	Spacer, lower, for number plate support (D)	1
20	71070030	Screw, fixing number plate support (D)	2
21	12011201	Support, for battery (D/150)	1
22	73170043	Spring washer, for screws at Fig. 23 (D/150)	1
23	70880406	Screw, for locking earth wire (D/150)	1
24	71340312	Screw, for fixing battery support (D/150)	2
25	72030005	Spring washer, for nuts at Fig. 25 (D/150)	2
26	07011067	Nut, for screws at Fig. 23 (D/150)	2
27	99080204	Rim, with red gear	1
28	07200008	Screw, for locking rim	2
29	12011536	Fuse, 8 Ampere (LD electric starter)	1
30	12011501	Fuse-alloy group (LD electric starter)	1
31	12010444	Anti-theft support (LD electric starter)	2
32	70880510	Support, for fuse-alloy group (LD electric starter)	1
33	73170053	Screw, fixing support (LD electric starter)	2
34	72030005	Spring washer, for screws at Fig. 33 (LD electric starter)	2
35	70910310	Nut, for screws at Fig. 33 (LD electric starter)	2
		Screw, fixing band (LD electric starter)	2

Fig. No.	Part No.	Description	Quantity
36	12010445	Band, retaining resistance (LD electric starter)	1
37	70880507	Screw, connecting resistance (LD electric starter)	2
38	12011541	Resistance 3.5 Ω (LD electric starter)	1
39	73170032	Spring washer, for nuts at Fig. 40 (LD electric starter)	2
40	72030003	Nut, for screws at Fig. 37 (LD electric starter)	2
41	11010558	Fuel, for battery (D-LD/150)	1
42	11010410	Gasket, for number plate support (D)	1
43	73030006	Nut, for screws at Figs. 17 - 19 (D)	4
44	73170033	Spring washer, for nuts at Fig. 43 (D)	4
45	11010409	Gasket, for number plate support (D)	1
46	12081079	Threaded nut/washer (D/150)	1
47	70880426	Screw, fixing battery straps (D/150)	1
48	15081031	Washer (D/150)	1
49	11011177	Earth wire, for battery (D/150)	1
50	71030028	Screw, fixing number plate (LD)	1
51	12180066	Rubber gasket, for battery (LD electric starter)	1
52	12010449	Rubber plug, retaining battery (LD electric starter)	1
53	73170043	Spring washer, for nuts at Fig. 54 (LD electric starter)	1
54	72030004	Nut, for locking support at Fig. 20 (LD electric starter)	1
55	73170033	Spring washer, for nuts at Fig. 56 (LD electric starter)	2
56	72030003	Nut, for screws at Fig. 35 (LD electric starter)	2
57	12010446	Separator, for battery (LD electric starter)	1
58	12011521	Battery, with cover (LD electric starter)	1
59	12010439	Elastic support, for battery (LD electric starter)	2
60	11011186	Switch, with cables (D/150)	1
61	11011491	Switch, with cables (D/150)	1
62	99080104	Screw, fixing switch (D-LD/150)	1
63	04401038	Screw, fixing switch cover (D-LD/150)	2
64	12081230	Resistor (D-LD/150)	1
65	72030006	Nut, fixing resistor (D-LD/150)	1
66	73170044	Spring washer, for nut at Fig. 64 (D-LD/150)	1
67	11010553	Support, resistor (D)	1
	07200005	Fuse, for resistor (D-LD/150)	1

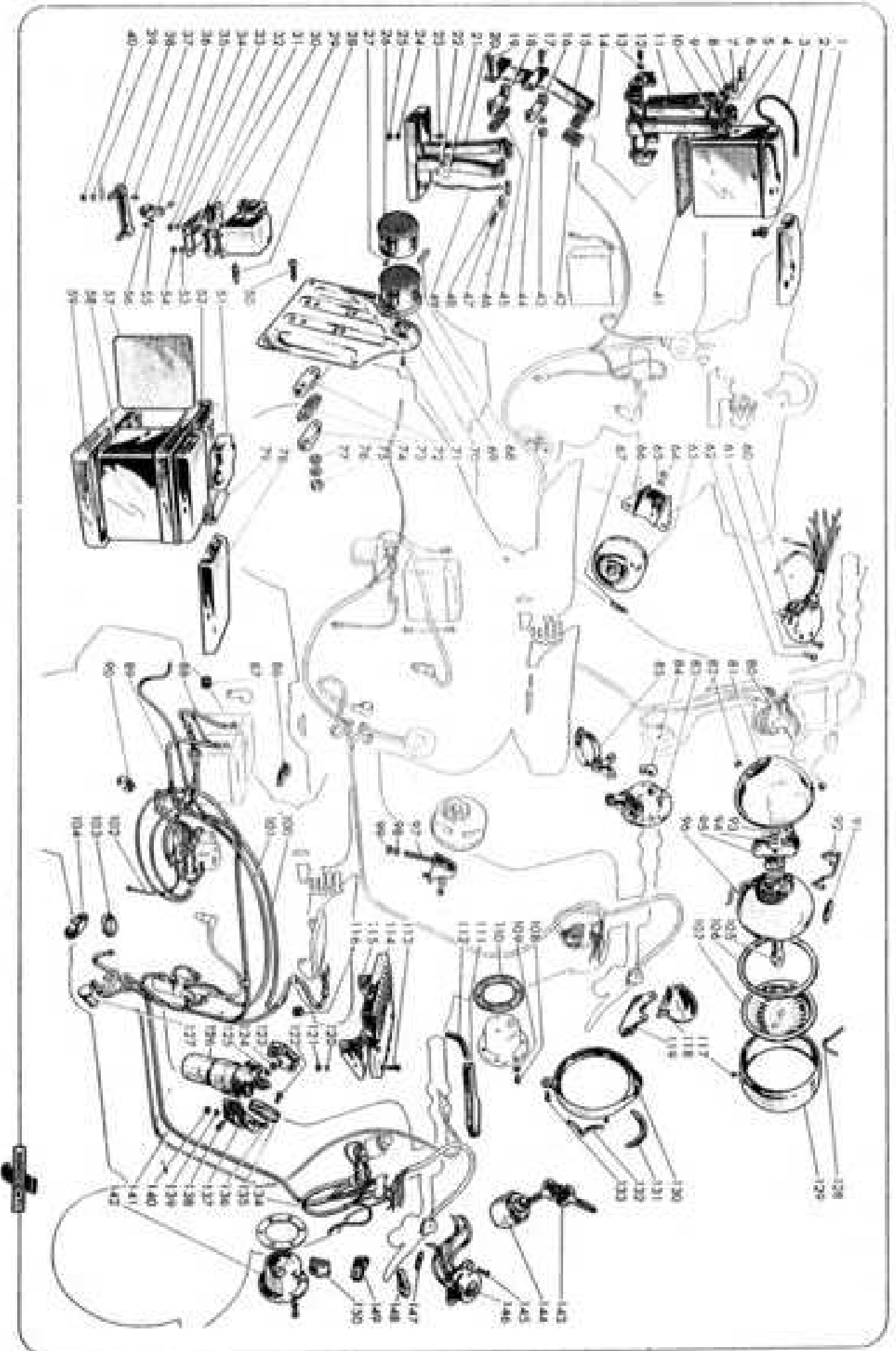


Fig. No.	Part No.	Description	Quantity	Fig. No.	Part No.	Description	Quantity
68	12010154 15080004	Bulb, for tail light 12 V - 3 W (LD electric starter) Bulb, for tail light 6 V - 5 W (D-LD)	1	91	07010146 15080004	Bulb, for city light 12 V - 10 W (for machine without battery) Bulb for city light 6 V - 5 W (for machine without battery)	1
69	07011046	Tail light, complete	1				
70	40011811	Number plate	1	92	40010148	Clip, holding lampholder (CARELLO)	1
71	73170007	Rivet, fixing tail light (D-LD/150)	2		15080008	Clip, holding lampholder (CEV)	1
72	08010403	Spacer, external, for number plate (LD)	2	93	73170053	Spring washer, for screws at fig. 94 (D)	2
73	12010404	Gasket, for spacers (LD)	2	94	70940516	Screw, fixing junction box (D)	2
74	08010404	Spacer, internal, for number plate (D)	2	95	07011266	Junction box (D)	1
75	72030005	Nut, for screws at fig. 50 (LD)	4	96	07011307	Lighting Group, with clip at fig. 92	1
76	73170053	Spring washer, for nuts at fig. 75 (LD)	4	97	12011496	Support, for rectifier (LD/150)	1
77	73010053	Plate washer, for nuts at fig. 75 (LD)	4	98	73170053	Spring washer, for nut at fig. 99 (LD/150)	1
78	12010472	Cover, for battery (LD electric starter)	2	99	72030005	Nut, fixing rectifier support (LD/150)	1
79	12011546	Connecting bar, battery poles (LD electric starter)	1	100	12011801	Wire, for connecting flywheel magnets to rectifier, H.T. coil and relay (LD electric starter)	1
80	08010142	Light bulbholder (D)	1			Wire, for connecting junction box to relay and tail light (LD electric starter)	1
81	99108010	Headlamp bezel (D)	1	101	12011441	Earth wire	1
82	72030005	Adjustment washer, headlamp (D)	1	102	11011346	Band, retaining cables (LD electric starter)	1
83	99098120	Horn (D-LD/150)	1	103	84500180	Band, retaining cables (LD electric starter)	1
84	14080102	Protection cap, for horn (D-LD/150)	1	104	84500250	Band, retaining cables (LD electric starter)	1
85	06011048	Bracket, for horn (D)	1	105	15080003	Bulb, twin-filament 6 V - 25/25 W (D-LD)	1
86	12010596	Band, retaining cables (LD electric starter)	2		07000117	Bulb, yellow, twin-filament 6 V - 25/25 W (D-LD)	1
87	12010595	Grommet, for battery cables (LD electric starter)	1	106	99108033	Gasket, for glass	1
88	12011601	Earth wire, from battery negative terminal to frame (LD electric starter)	1	107	99108031	Glass, for headlamp	1
89	12011796	Wire, from battery positive terminal, to electric motor and to the fuse relay group (LD electric starter)	1	108	71200312	Screw, fixing horn (LD)	4
90	84510110 11011456	Band, retaining cables (LD electric starter) Headlamp, CARELLO - complete with figs. 96 - 106 - 128 - 129 (D)	2	112	12010580	Protection tube, for rectifier wires (LD electric starter)	1
—	11011461	Headlamp, CEV - complete with figs. 96 - 106 - 128 - 129 (D)	1	113	70940452	Screw, fixing rectifier (LD electric starter)	4
—	12011451	Headlamp, CARELLO - complete with figs. 96 - 106 - 130 - 132 (LD)	1	114	12011431	Rectifier, double bridge (LD electric starter)	1
—	12011456	Headlamp, CEV - complete with figs. 96 - 106 - 130 - 132 (LD)	1	115	12010444	Support, for rectifier (LD electric starter)	1
				116	12010584	Grommet, for rectifier wire (LD electric starter)	1
				117	99094811	Screw, fixing headlamp rim (D)	1
				118	08010144	Deflector, for city light (LD)	1
				119	09010411	Junction box, for headlamp (LD)	1

Fig. No.	Part No.	Description	Quantity	Fig. No.	Part No.	Description	Quantity
120	72170043	Spring washer, for nuts at Fig. 121 (LD electric starter)	4	136	70000039	Screw, fixing H.T. coil support (LD electric starter)	2
121	72000004	Nut, for screws at Fig. 113 (LD electric starter)	4	137	12010266	Support, for H.T. coil (LD electric starter)	1
122	70910312	Screw, for fixing junction box (LD electric starter)	2	138	70450616	Screw, fixing H.T. coil (LD electric starter)	2
123	12010443	Protection cap, for junction box (LD electric starter)	1	139	72170053	Spring washer, for nut at Fig. 140 (LD electric starter)	2
124	72000006	Nut, for screws at Fig. 128 (LD electric starter)	2	140	72000005	Nut, for screws at Fig. 136 (LD electric starter)	2
125	72170044	Spring washer, for nuts at Fig. 124 (LD electric starter)	2	141	12011626	Wiring, connecting junction box to switch (LD electric starter)	1
126	12011576	H.T. Coil, Bosch, T1 12/3 (LD electric starter)	1	142	12011871	Horn (LD electric starter)	1
127	08010539	Protection cap, for wires terminal (LD electric starter)	2	*143	12081037	Key, for ignition switch (LD electric starter)	2
128	94108033	Clip, retaining reflector (D)	4	144	12011566	Ignition switch, complete with keys (LD electric starter)	1
129	94108016	Bulb, headlamp (CARELLI) (D)	1	145	94098104	Screw, fixing switch (LD electric starter)	2
130	94098002	Bulb, headlamp (CEV) (D)	1	146	12011621	Switch, for lighting (LD electric starter)	1
131	08011404	Bulb, for headlamp (LD)	1	147	12010153	Bulb, for city light 12 V - 5 W (LD electric starter)	1
132	08010112	Gasket, for headlamp rim (LD)	1	148	12010152	Bulb, twin-tubeless 12 V - 25/25 W (LD electric starter)	1
133	08010131	Clip, retaining reflector (LD)	4	149	12010451	Band, fixing wiring connecting electric motor (LD electric starter)	1
134	70910412	Screw, fixing headlamp rim (LD)	1	150	12010264	Protection cap, for horn terminals	1
135	12011636	Wiring, connecting junction box to switch (LD electric starter)	1				
		Junction box (LD electric starter)	1				

* When ordering spare parts, please always specify the manufacturer and the serial number stamped on the parts base.

Lambretta

Fig. No.	Part No.	Description	Quantity	Fig. No.	Part No.	Description	Quantity
1	11010444	Cover, for battery (SCALIN)	1 (LD/150)	31	15011031	Bonded nut, for battery strap (LD electric starter)	1
2	14001032	Cover, for battery (PIAMM)	1 (LD/150)	32	15001029	Threaded nut, for battery strap (LD electric starter)	1
3	15001029	Protective cap, for battery terminal	1 (LD/150)	33	15010439	Elastic support, for battery poles (LD electric starter)	1
4	70000430	Threaded nut, for battery terminal	1 (LD/150)	34	15011546	Connecting bar, for battery poles (LD electric starter)	1
5	15001031	Screw, for strap retaining battery	1 (LD/150)	35	15011531	Conducting bar, for battery poles (LD electric starter)	1
6	11011177	Bonded nut, for battery	1 (LD/150)	36	15010446	Rubber ring, connecting battery (LD electric starter)	2
7	70000406	Earth wire, for battery	1 (LD/150)	37	15010609	Bar, fixing tail light	1
8	73170043	Screw, locking earth wire	1 (LD/150)	38	73010033	Plain washer, for nuts at Fig. 40	2
9	71340012	Spring washer, for screw at Fig. 7	1 (LD/150)	39	73170033	Spring washer, for nuts at Fig. 40	2
10	15011501	Screw, fixing battery support	1 (LD/150)	40	71000003	Nut, fixing tail light	2
11	73170033	Support, for battery	1 (LD/150)	41	71000033	Nut, fixing tail light	2
12	73030005	Spring washer, for nuts at Fig. 12	1 (LD/150)	42	70010512	Screw, for fixing number plate (lower part)	2
13	19001170	Nut, fixing battery support	1 (LD/150)	43	15010608	Screw, for fixing number plate (upper part)	2
14	11010658	Battery, complete with Fig. 1	1 (LD/150)	44	08010302	Number plate	1
15	15010472	Feet, for battery	2 (LD/150)	45	15010304	Spending tag	1
16	15010448	Cover, for battery	1 (LD/150)	46	15010304	Protection cap, for horn cable (LD/125-150)	1
17	15010611	Feet, battery	2 (LD/150)	47	15011731	Horn (125-150/LD)	1
18	15011836	Tail light, complete with Figs. 18-19-21-22	1	48	73170002	Spring washer, for screws at Fig. 48	4
19	15011831	Tail light, with stop light, complete with Figs. 18-19-21-22	1	49	08010529	Screw, fixing horn	4
20	08010605	Tail light, with stop light, complete with Figs. 18-19-21-22	1	50	15011841	Protection cap, for battery terminal (LD electric starter)	2
21	15010154	Graben, for tail light	1	51	15010526	Support, for battery (LD electric starter)	1
22	15010610	Graben, for tail light lamp holder	1	52	70400508	Grommet, for electric wires, (LD electric starter)	1
23	15010154	Bulb, 6 V - 1.5 W	1 (LD/150)	53	73170053	Screw, fixing battery support (LD electric starter)	4
24	15010154	Bulb, 12 V - 3 W	1 (LD/150)	54	15010526	Spring washer, for screws at Fig. 53 (LD electric starter)	4
25	15010154	Bulb, 6 V - 5 W	1 (LD/125)	55	15011771	Earth wire, for tail lamp	1
26	08010605	Red gear	1	56	73170053	Spring washer, for nuts at Fig. 56	2
27	19003005	Screw, fixing red gear	1 (LD/150)	57	73030005	Nut, for screws at Fig. 42	2
28	73030006	Nut, fixing rectifier	1 (LD/150)	58	08010604	Block, internal, fixing number plate	1
29	73170064	Spring washer, for nut at Fig. 29	1 (LD/150)	59	73010053	Plain washer, for nuts at Fig. 60	2
30	15011330	Nut, for fixing rectifier bracket	1 (LD/150)	60	73170053	Spring washer, for nuts at Fig. 60	2
	70000430	Screw, fixing battery strap (LD electric starter)	1		73030005	Nut, for screws at Fig. 41	2

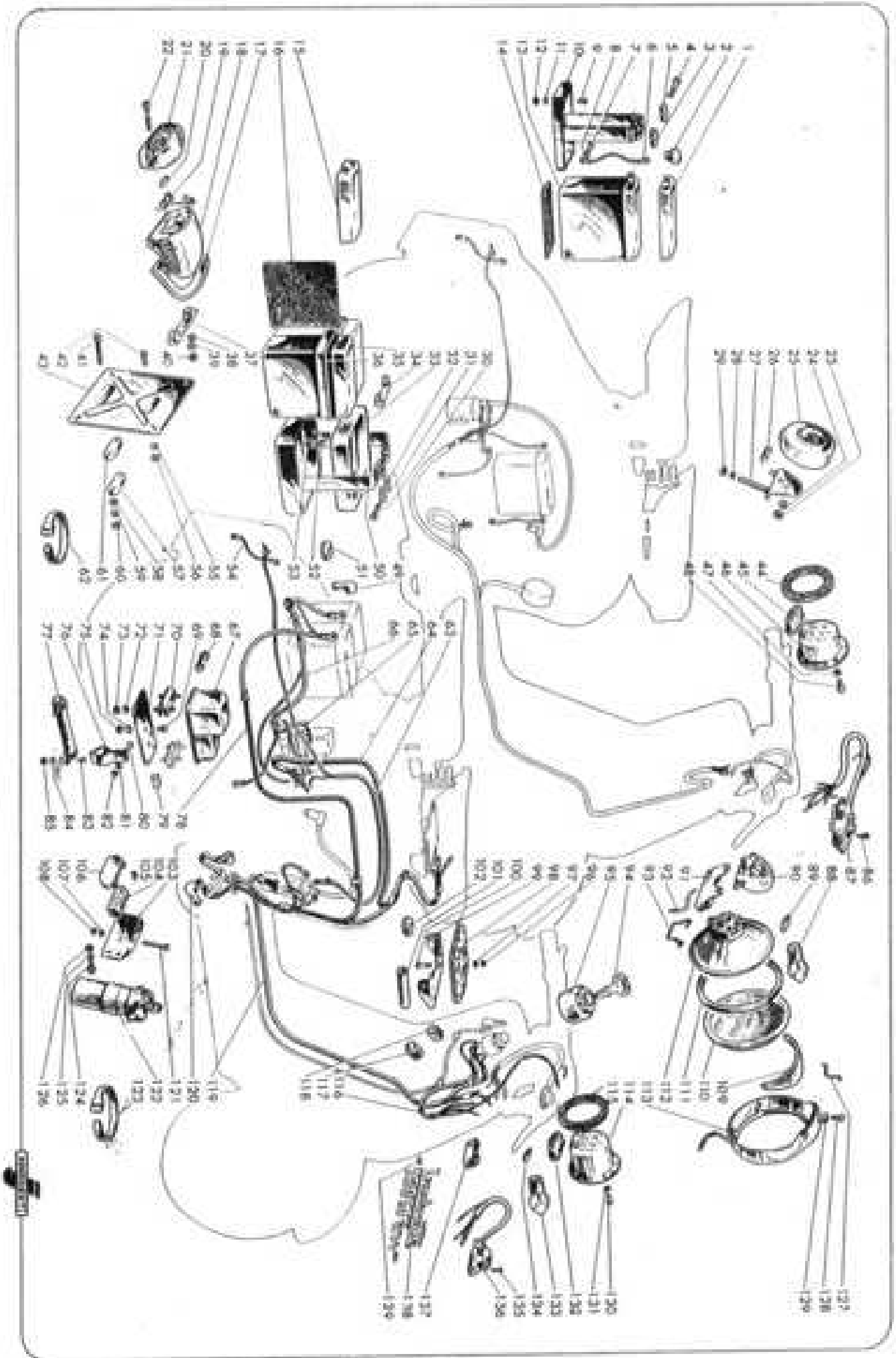


Fig. No.	Part No.	Description	Quantity
110	99108001	Glass, for headlamp	1
111	99108002	Gasket, for glass	1
112	07011237	Lighting group, complete with clip at fig. 93	1
113	12011026	Rim, for headlamp (CASELLO)	1
	12011841	Rim, for headlamp (CEV)	1
	12013046	Rim, for headlamp (APRILIA)	1
114	12011706	Horn (LD electric starter)	1
115	08010002	Speeding ring, for horn (LD electric starter)	1
116	12011626	Cable, from switch to headlamp junction box (LD electric starter)	1
117	12010304	Grosswand, for starter motor control (LD electric starter)	1
118	12010395	Grosswand, for starter motor control (LD electric starter)	1
119	12011626	Cable, from switch to junction box (LD electric starter)	1
120	08010329	Protection cap, for starter motor control cable (LD electric starter)	1
121	70300050	Screw, fixing support (LD electric starter)	2
122	12011576	H. T. coil, Bosch TV 12/3 (LD electric starter)	1
123	04500260	Band, retaining cables (LD electric starter)	1

Fig. No.	Part No.	Description	Quantity
124	70300616	Screw, fixing H. T. coil (LD electric starter)	2
125	73170064	Spring washer, for nuts at fig. 126 (LD electric starter)	2
126	73000006	Nut, for screws at fig. 124 (LD electric starter)	2
127	06010131	Clip, retaining reflector	4
128	12010163	Screw, fixing rim	3
129	15080002	Case washer, for screws at fig. 128	2
130	71200012	Screw, fixing horn	4
131	73170022	Spring washer, for screws, at fig. 120	4
132	12010304	Protection cap, for horn cable (LD electric starter)	1
133	12010152	Bulb, twin-flament 12 V - 25/25 W (LD electric starter)	1
134	12010153	Bulb, for city light 12 V - 5 W (LD electric starter)	1
135	991098104	Screw, fixing double throw switch (LD electric starter)	2
136	12011791	Double throw switch, complete (LD electric starter)	1
137	12010451	Band, retaining electric wires (LD electric starter)	1
138	12180184	Name plate, for legshield (LD electric starter)	1
139	73700245	Bowl, for name plate (LD electric starter)	2

Fig. No.	Part No.	Description	Quantity
—	00850533	Starter motor, with clutch cover	1
1	00851247	Oil seal	1
2	00851250	Bush, splined shaft	1
3	00851177	Bush, for supporting splined shaft	1
4	00851201	Free wheel	1
5	74400330	Split pin, for gear control shaft	1
6	71040620	Screw, fixing support flange	1
7	73170064	Spring washer, for screw, at Fig. 6	1
8	00851315	Clutch cover, complete with Figs. 1-2-3	1
9	00851432	Ring, locking gear at Fig. 10	1
10	00851324	Gear, armature splined shaft	1
11	00851312	Gear, with splined shaft	1
12	00854652	Key, for locking gear	1
13	00854624	Bush, armature shaft	1
14	00851259	Seal ring	1
15	00854633	Return spring, free wheel	1
16	00851279	Shaft, gear control	1
17	00851311	Gasket, for support flange	1
18	00851436	Support flange, complete, with Fig. 13	1
19	00851421	Armature	1
20	00851207	Tie rod, for locking motor frame	2
21	00851430	Motor frame, complete with Figs. 22-24	1
22	71200610	Screw, for locking polar pieces	4
	12011491	Lever, starter control	1
	12011741	Lever, starter control (only for machine with epicyclic starter)	1
24	00851471	Armature field	1
25	73170064	Spring washer, for screws at Fig. 26	1
26	71040645	Screw, fixing support flange to clutch cover	2
27	00851295	Seal ring	1

Fig. No.	Part No.	Description	Quantity
28	00850546	Screw, for fixing starter switch	2
29	73170055	Spring washer, for screws at Fig. 28	2
30	00851291	Starter switch, complete	1
31	00851294	Gasket, for starter switch	1
32	00851413	Gasket, for brush holder	1
33	00851434	Brush holder	1
34	00851230	Bush, for brush holder	1
35	73010043	Plain washer, for seal ring at Fig. 26	1
36	00411018	Seal ring	2
37	08010441	Bush, for cable adjustment	1
38	08010443	Contenutur, for adjustment pin	1
39	08010442	Pin, for adjustment cable	1
	12011296	Cable, starter control	1
	12011866	Cable, starter control (for machine with epicyclic starter)	1
41	73060004	Nut, for wire terminal	1
42	13031007	Spacings bush	1
43	73060004	Nut, for wire terminal	1
44	00461030	Plain washer, for nuts at Fig. 43	1
45	00851232	Spring, brushes control	2
46	00851412	Brush	2
47	73170043	Spring washer, for screws at Fig. 48	2
48	70850409	Screw, fixing brush to holder	2
49	00851298	Protection base, for switch pin	2
50	73170052	Spring washer, for nuts at Fig. 51	1
51	73060005	Nut, for locking starter motor	2
52	00851206	Cover, commutator side	2
53	73170043	Spring washer, for nuts at Fig. 34	1
54	73060004	Nut, fixing cover to tie rod	2

ELECTRIC STARTER

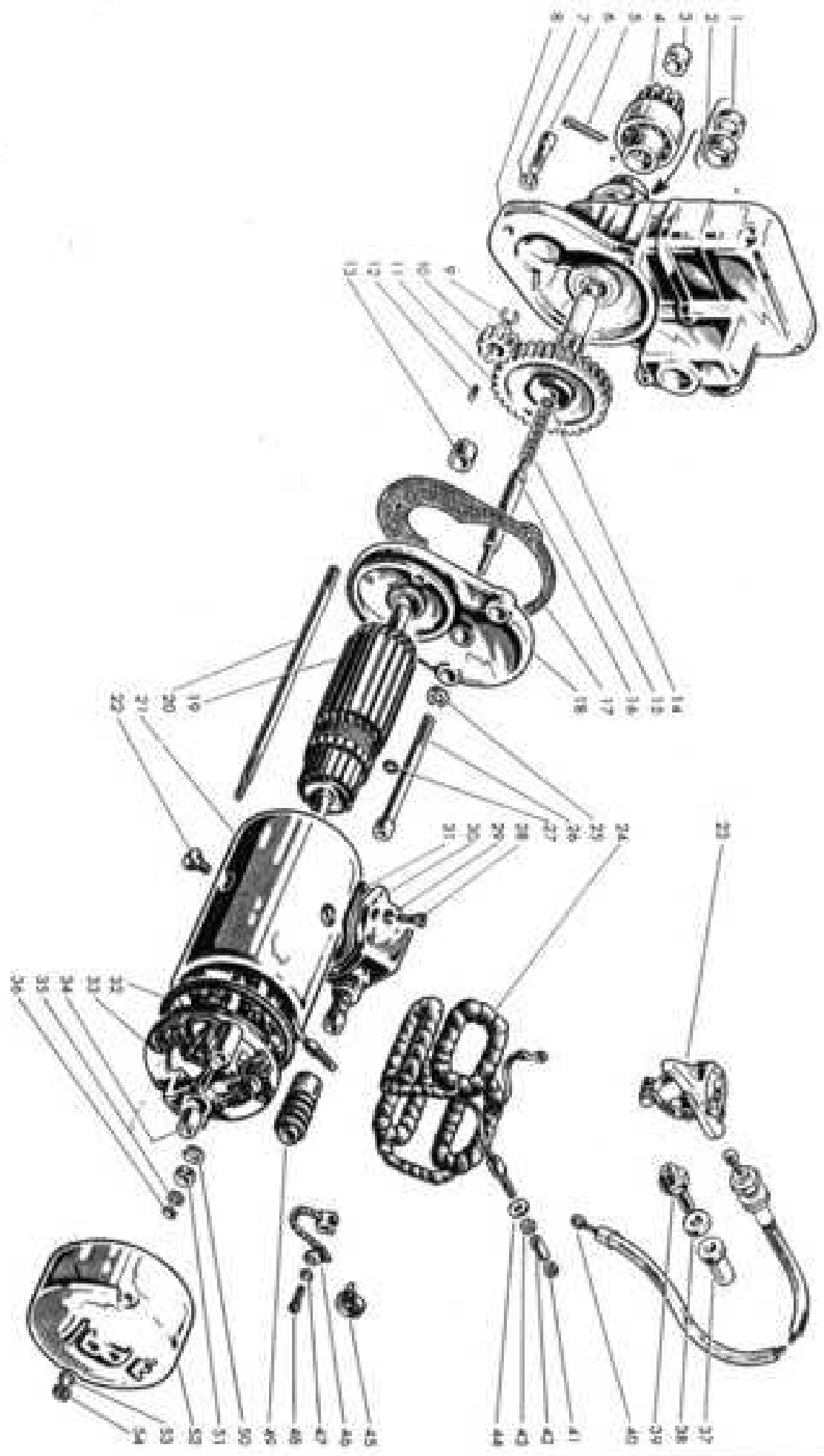


Fig. No.	Part No.	Description	Quantity	Fig. No.	Part No.	Description	Quantity
60	00811432	C. 11309/1	1	78	00811262	C. 12033/1	1
61	12010507	H.T. lead	1	79	00811263	E. 12044/1	1
62	12017070	Cap. for spark plug with screw at Fig. 63	1		00811414	C. 12235/1	1
63	12017012	Screw, for fixing H.T. lead	1	80	00811427	C. 12239/1	1
64	14010701	Spark plug	1	81	00811264	N. 116/4S	1
65	72000003	Nut, for screws, at Fig. 59-73	4	82	00811268	C. 12037/1	2
66	00811256	Condenser	1	83	00811271	N. 116/74	2
67	00811252	Greaser box	1	84	00811272	247/8m/6	2
68	00811284	Greaser pad	1	85	00811264	N. 116/75	4
69	00811229	Spring washer, for screw at Fig. 70	1	86	00811265	247/8m/5	2
70	00811280	Screw, for fixing condenser	1	87	00811270	C. 12043	1
	00811244	L.T. Ignition coil (D.D./150)	1	88	00811274	E. 12041	1
71	00811400	L.T. Ignition coil (D.D./125)	1	89	11110121	Gapset, between crankcase/magneto flange	1
	00811295	L.T. Ignition coil (D electric starter)	1	90	72000064	Plain washer, for screws at Fig. 92	6
72	00811245	Tab washer, for screws at Fig. 73	2	91	72170064	Spring washer, for screws at Fig. 92	6
73	00811255	Screw, fixing L.T. coil	2	92	02110106	Screw, fixing flywheel magnets flange	6
74	00811288	Plain washer, for screws at Fig. 75	1	93	02110211	Spring washer, for nut at Fig. 94	1
75	00811254	Screw, fixing flange at Fig. 60	1	94	02110212	Nut, for locking flywheel magnets	1
76	00811212	Insulating washer, for contact points	2				
77	00811212	Crutch, locking contact points	1				

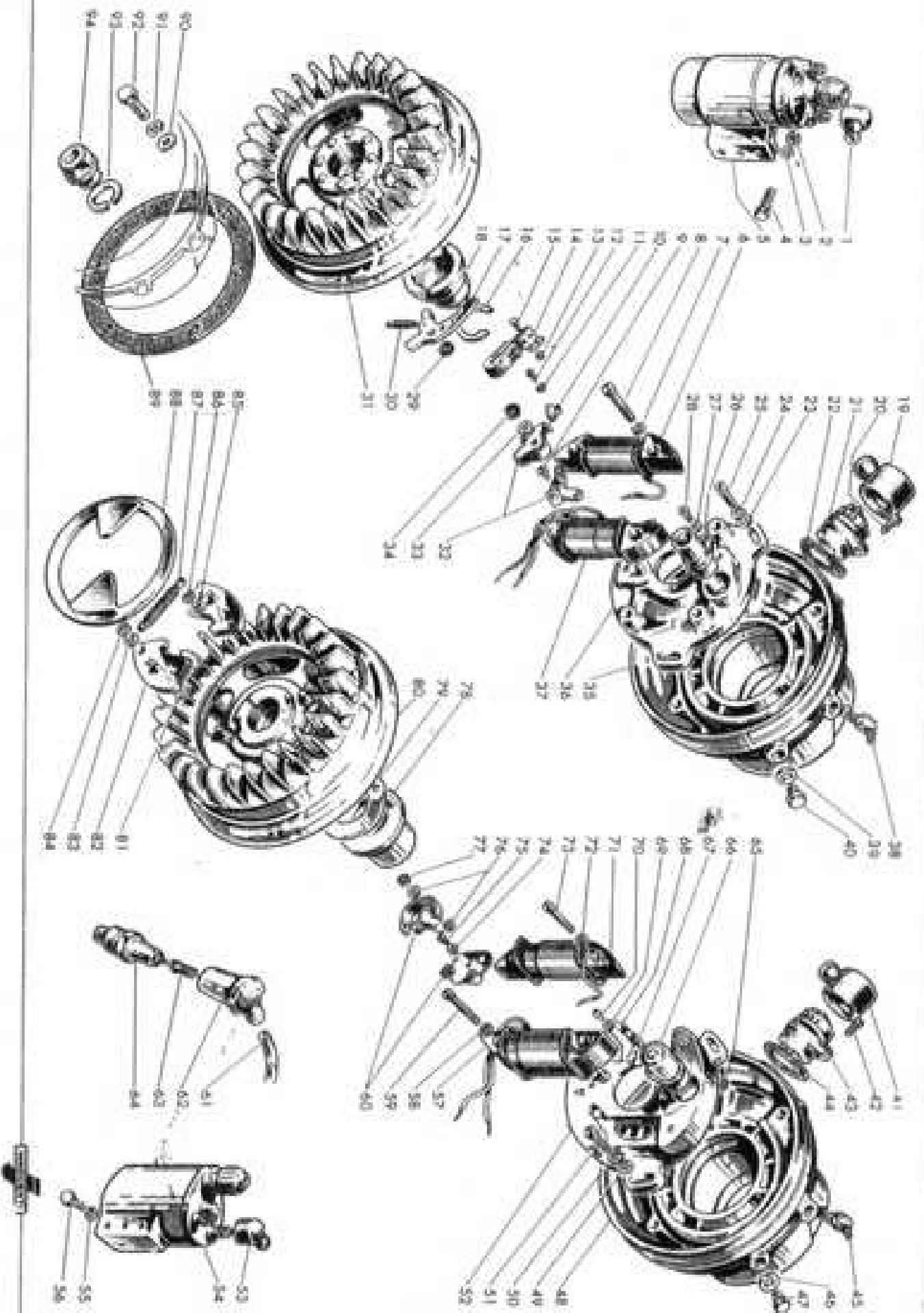


Fig. No.	Part No.	Description	Quantity	Fig. No.	Part No.	Description	Quantity
1	12181081	Mudguard, rear	1	33	12180223	Return spring, luggage box lid	1
2	72020005	Nut, for screws at fig. 4	2	34	12180264	Bolt, fixing battery cover n. 12181221 (LD electric starter)	1
3	72170053	Spring washer, for screws at fig. 4	2	35	72170064	Spring washer, for screw at fig. 34	1
4	70910510	Screw, fixing rear mudguard	2	36	72170063	Spring washer, for nuts at fig. 37	1
5	72170053	Spring washer, for screws at fig. 6	2	37	72000005	Nut, for fixing bootboards	8
6	70910508	Screw, fixing rear mudguard	2		12181221	Cover, for battery box (LD electric starter)	1
7	12035044	Bush, for panel lock	2	38	12181461	Panel, for battery cover n. 12181461	1
8	12035047	Clip, for panel cap lock	2				
9	12035045	Cup, retaining spring	2	39	12180271	Panel L.H.	1
10	12035043	Pressure spring, for panel lock	2	40	72020008	Nut, for pin at fig. 39	2
11	12035043	Cup, retaining spring	2	41	12181221	Panel L.H.	1
12	74400020	Split pin, for panel lock	2	42	02180272	Beading, for panel	2
13	12035044	Protection cap, for panel lock	2	43	71420425	Screw, for fixing end caps	4
14	12035048	Grub, locking handle	2	44	02180142	End cap	12
15	02180201	Handle, for R.H. lock	1	45	02180172	Spring washer, for screws at fig. 43-55	6
16	12092048	Lock R.H., complete with figs. 7 - 8 - 9 - 10 - 11 - 12 - 13 - 14 - 15	1	46	72020004	Nut, for screws at figs. 43-55	6
17	12180269	Grill, for panel (suitable for the old panels)	2	47	12770221	Protection, for cables (LD/125)	1
18	12180267	Screw, for fixing grills to the old panels	8	48	12770222	Protection, for cables (LD/125)	1
19	72010043	Plain washer, for screws at fig. 18	8	49	02180202	Handle, for L.H. lock	1
20	72090004	Nut, for screws at fig. 18	8	50	12092047	Lock, L.H., complete with figs. 7 - 8 - 9 - 10 - 11 - 12 - 13 - 14 - 49	1
21	12181226	Panel R.H.	1				
22	02181241	Mat, footboard R.H.	1	51	12181421	Legshield	1
23	12181426	Footboard R.H.	1	52	12180195	Rubber plug, for legshield	1
*24	12035026	Key, for luggage box lock	2	53	02181046	Footboard L.H.	1
25	12181271	Lock, with keys	1	54	02181246	Mat, for L.H. footboard	1
26	12181246	Lid, luggage box, with lock at fig. 25 (LD electrical starter)	1	55	71420418	Screw, for fitting end caps	2
27	12180228	Beading, luggage box lid	1	56	02180173	Elastic nut, for screws at fig. 55	6
28	12180248	Spring, fixing tool bag	1	57	12035098	Beading channel, lower	2
29	12084015	Plate, for spring	1	58	02180144	Beading, for footboard	6
30	12180224	Pin, luggage box hinge	1	59	02180140	Beading channel, outer and intermediate	4
31	12180223	Tube, for lid hinge	1	60	02180145	Screw, fixing legshield and junction box to frame	2
32	12180226	Tube, retaining lid spring	1	61	70910512	Spring washer, for screws at fig. 61	2
				62	72170053		

* When ordering spare parts, please always specify the manufacturer and the serial number stamped on the tool base.

Fig. No.	Part No.	Description	Quantity	Fig. No.	Part No.	Description	Quantity
63	08019913	Rubber plug, for legshield	4	90	71480512	Screw, for fixing horn casting to legshield	2
64	08010143	Light indicator	1	91	70910514	Screw, fixing rear mudguard	1
65	71479409	Screw, fixing end caps	6	92	70360518	Screw, fixing rear mudguard	1
66	83100006	Spring washer, for screws at fig. 65	6	93	731770033	Spring washer, for screws at figs. 91-92	2
67	13180137	Special screw, for end caps	6	94	73030005	Nut, for screws at figs. 91-92	2
68	19030096	Screw, fixing legshield and bearing (diesel)	6	95	11180302	Buffer, anchoring rear mudguard	2
69	73030004	Nut, for screws at fig. 68	6	96	11181021	Rear mudguard	1
70	71459425	Screw, for fixing footboard strips (SD/125)	4	97	70910312	Screw, fixing rear mudguard	1
71	05180147	Anti-rotation spacer (LD/125)	4	98	731770053	Spring washer, for screws at fig. 97	2
72	71479416	Screw, for fixing footboard strips (LD/125)	14	99	73030033	Plate washer, for screws at fig. 97	2
73	71499428	Screw, for fixing footboard strips (SD/125)	6	100	990973042	Rubber pad, for legshield	1
74	13180199	Strip, footboard (LD/125)	2	101	11180139	Legshield	1
75	05180173	Spring washer, for screws at figs. 70-72 (LD/125)	18	102	07180132	Overhaul, for gear change cables	1
76	73030004	Nut, for screws at figs. 70-72-73 (LD/125)	24	103	71450435	Screw, fixing footboard strips	12
77	13180191	Strip, footboard (LD/125)	4	104	71420418	Screw, fixing footboard strips	4
78	70300450	Screw, for fixing horn casting to frame	2	105	05180172	Spring washer, for screws at fig. 104	4
79	731770044	Spring washer, for screws at fig. 78	2	106	73030004	Nut, for screws at fig. 104	4
80	730170044	Plain washer, for screws at fig. 78	2	107	07180139	Strip, footboard	4
81	05180171	Beading, LH, for horn casting	1	108	05180147	Anti-rotation spacer	4
82	08181286	Horn casting	1	109	731770044	Spring washer, for screws at fig. 110	16
	13181286	Horn casting	1	110	70360514	Screw, fixing front mudguard	3
83	70300530	Horn casting, for machine with handclutch cover	1	111	14080039	Buffer, anchoring front mudguard	1
84	04770125	Clip, fixing front mudguard	1	112	70910308	Screw, fixing legshield and strip	2
85	05180109	Overhaul, front brake cable	1	113	731770053	Spring washer, for screws at fig. 112	2
86	08071046	Mudguard, front	1	114	06180141	Dowel nut, for screws at fig. 112	2
87	73030005	Nut, for screw at fig. 83	1	115	07181121	Strip, with name plate fixing legshield	1
88	731770053	Spring washer, for nut at fig. 87	1	116	99104055	Front mudguard	1
89	05180179	Beading, R.H. for horn casting	1				

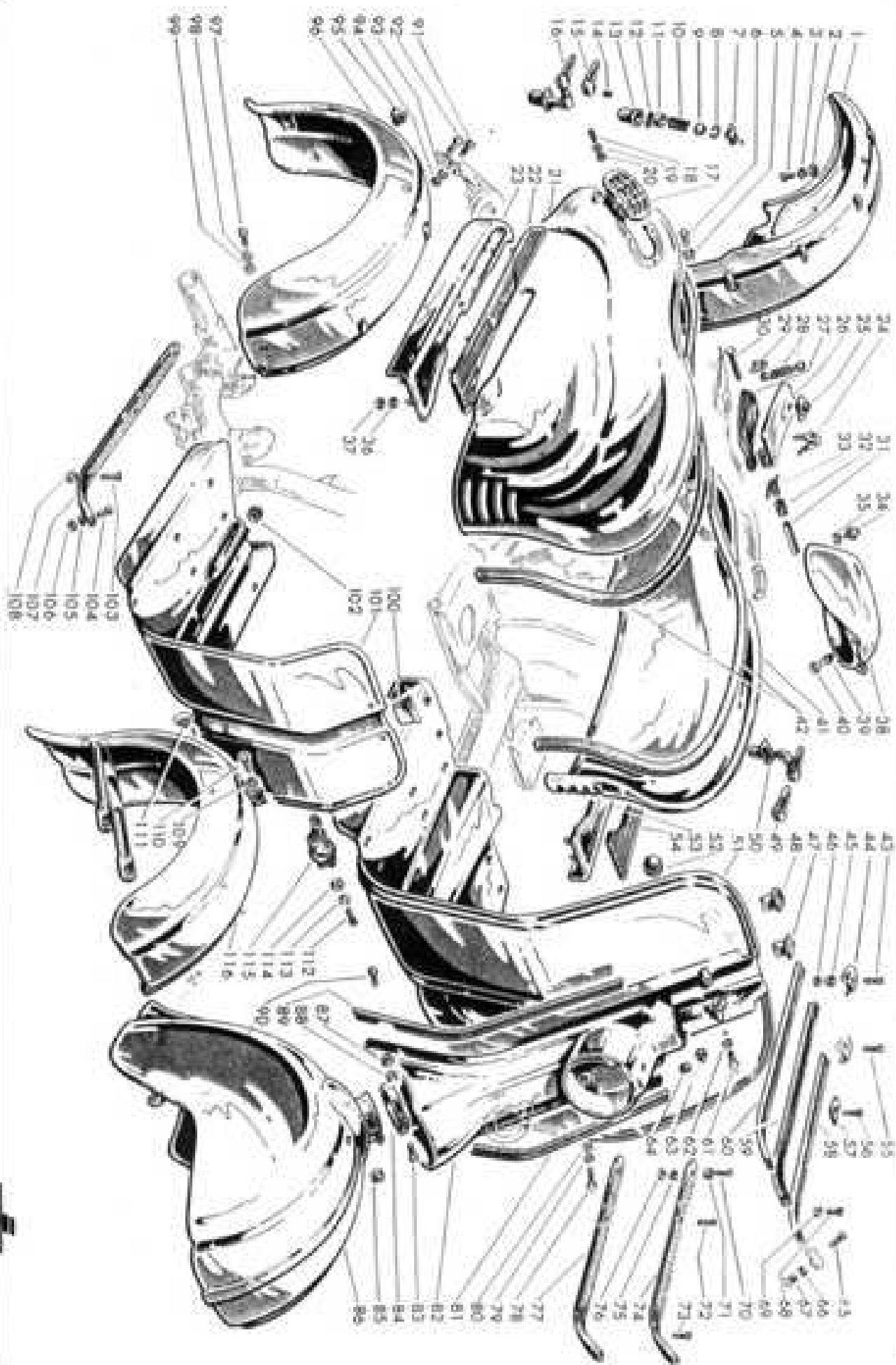


Fig. No.	Part No.	Description	Quantity	Fig. No.	Part No.	Description	Quantity
1	15059012	Rod, for rear brake control	2	22	15023008	Transmission, locking clutch cable	1
2	82010601	Washer, for pin	1		11181236	Cable, rear brake (D)	1
3	74401522	Split pin, for pin	1	23	12181426	Cable, rear brake (LD)	1
4	73170105	Spring washer, for nut at Fig. 5	1	24	98180732	Inner cable, for rear brake control (D)	1
5	72070016	Nut, for locking rear brake cable	1		11180732	Inner cable, for rear brake control (D)	1
6	07180735	Gasket, adjuster support	1	25	72060006	Nut, fixing clips	2
7	15059014	Pin, rear brake rod	1	26	73170004	Spring washer, for nuts at Fig. 25	2
8	07180731	Pin, rear brake cable	1	27	11180728	Clip, for rear brake cable	1
9	07180727	Support, rear brake cable adjuster	1	28	12030224	Clip, for rear brake cable (for machines with epicyclic starter)	1
10	15059016	Nut, rear brake cable adjuster	1	29	11020205	Clip, for gear change cable	1
11	15059013	Adjuster, rear brake cable	1	30	15059009	Female, for locking rear brake cable	1
12	15022009	Graph, for locking gear change cables	2	31	15059012	Rod, rear brake pedal	2
13	15022011	Disc, for locking gear change cables	2	32	72070019	Nut, for rear brake cable pin	1
14	15022008	Transmission, for locking gear change cables	2	33	73170105	Spring washer, for nut at Fig. 27	1
15	15022022	Nut, for gear change cables adjuster	2	34	82010601	Washer, for pin	1
16	11000008	Adjuster, gear change cables	2	35	74401522	Split pin, for pin	1
	11003021	Cable, upper, gear change with unsheathable inner cable (mm. 1400)	1	36	72360012	Circlip, retaining rear brake pedal	1
	11003026	Cable, lower, gear change with unsheathable inner cable (mm. 1544)	1	37	87020006	Grease nipple, for rear brake pin	1
	11003041	Cable, upper and lower gear change with sheathable inner cable (mm. 1544)	2		87030008	Grease nipple, for rear brake pin	1
	12003021	Cable, upper, gear change with unsheathable inner cable (mm. 1700)	1	38	11111056	Cable, throttle control (D)	1
	12003021	Cable, upper, gear change with unsheathable inner cable (mm. 1700)	1	39	12061062	Inner cable, for clutch control (mm. 1537)	1
	12003026	Cable, lower, gear change with unsheathable inner cable (mm. 1700)	1	40	85700023	Female, for locking clutch cable	2
	12003026	Cable, lower, gear change with unsheathable inner cable (mm. 1700)	1		11061056	Cable, for clutch with unsheathable inner cable (mm. 1400) (D)	1
	12003026	Cable, upper, gear change with sheathable inner cable, for epicyclic starter (mm. 1700)	1	41	11061061	Cable, for clutch with sheathable inner cable (mm. 1400) (D)	1
	12003061	Cable, lower, gear change, with sheathable inner cable, for epicyclic starter (mm. 1815)	1		12061061	Cable, for clutch with sheathable inner cable (mm. 1425) (LD)	1
	12003114	Cable, lower, gear change, with sheathable inner cable, for electrical starter (mm. 1860)	1	42	99085906	Protective rubber, rear brake pedal	1
	110031042	Inner cable, for gear change control (mm. 1687) (D)	2	43	07180731	Pin, for locking rear brake cable	1
	120031027	Inner cable, for gear change control (mm. 1821) (LD)	2	44	12029014	Pin, for rear brake control rod	1
	120031062	Inner cable, for gear change control (mm. 1940) (LD)	2	45	15009005	Bush, for rear brake pedal	1
	85700023	Female, for locking gear change cables	2	46	99085904	Return spring, rear brake pedal	1
	15022009	Graph, locking clutch cable	1	47	15089006	Guide washer, pedal return spring	1
	15022011	Disc, locking clutch cable	1	48	07181081	Pedal, rear brake complete with bush at Fig. 45	1
				49	82011201	Spring washer, for rear brake pedal	1

Fig. No.	Part No.	Description	Quantity	Fig. No.	Part No.	Description	Quantity
50	84010119	Clip, union cables	1	60	11779809	Screw, fixing and adjusting front brake cable (for cable with sheathable inner cable)	1
51	99096124	Adjuster, clutch and front brake cable	2	61	15049008	Plate, fixing front brake cable	1
52	99096125	Ring, for adjuster	2	62	73170053	Spring washer, for screw at fig. 63	1
53	72040005	Nut, for screw at fig. 55	1	63	70860513	Screw, locking cable	1
54	11180162	Clip, retaining cables with grease nipple (D)	1		11771961	Cable, for front brake, with unsheathable inner cable (mm. 1220) (D)	1
55	13180162	Clip, retaining cables with grease nipple (LD)	1			Cable, from brake, with sheathable inner cable (mm. 1220) (D)	1
56	70910214	Screw, fixing clip	1	64	11771046	Cable, from brake, with inner cable unpressurized, slip (mm. 1325) (LD)	1
57	70910208	Clip, retaining cables (D)	1			Cable, from brake control (1412 mm.) (D)	1
58	84500040	Transition, front brake adjuster (for cable with unsheathable inner cable)	1	65	12771067	Inner cable, front brake control (1527 mm.) (LD)	1
	99096197	Transition, front brake adjuster (for cable with unsheathable inner cable)	1	66	83700029	Female, for locking front brake control cable	2
59	11770801	Transition, front brake adjuster (for cable with unsheathable inner cable)	1				

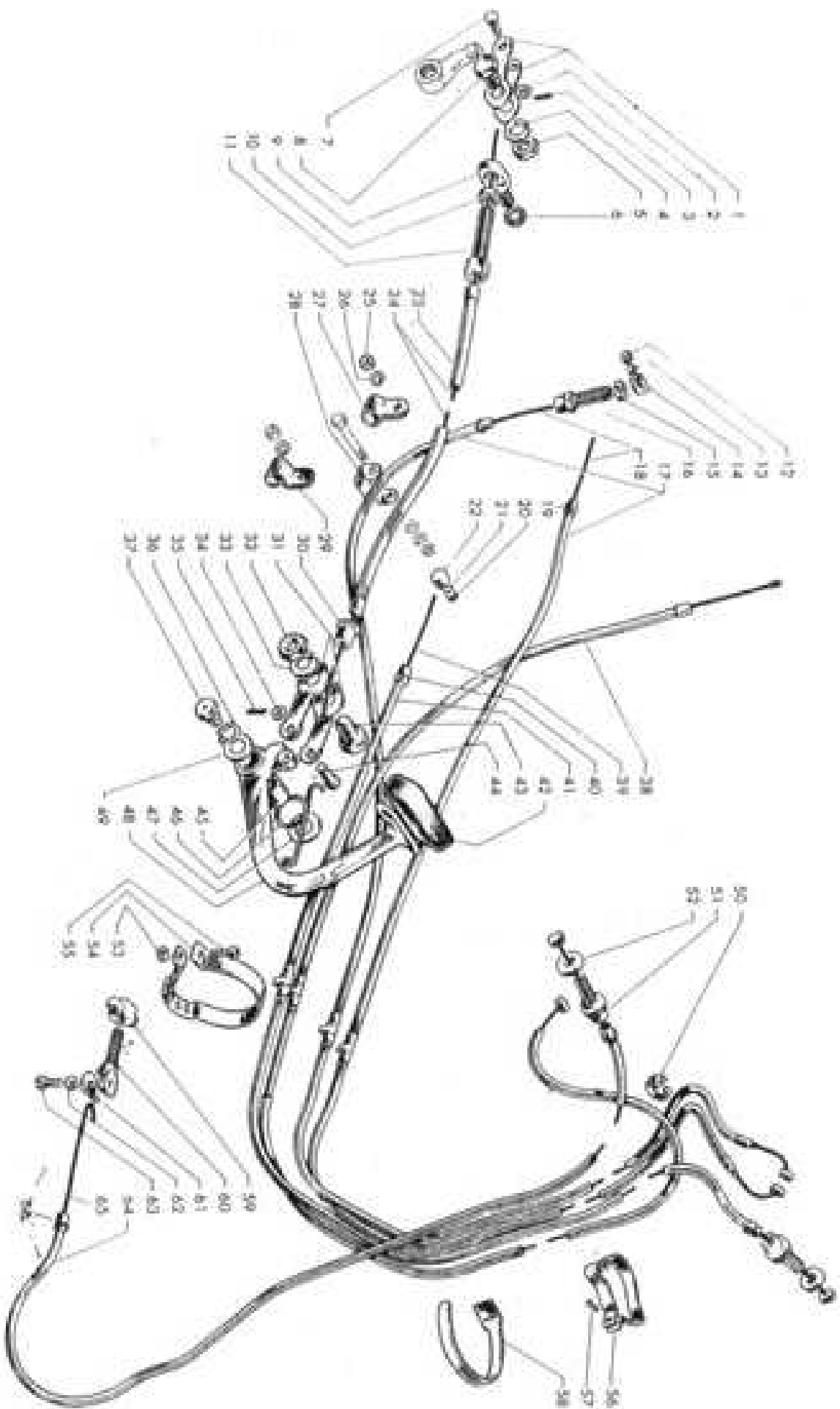
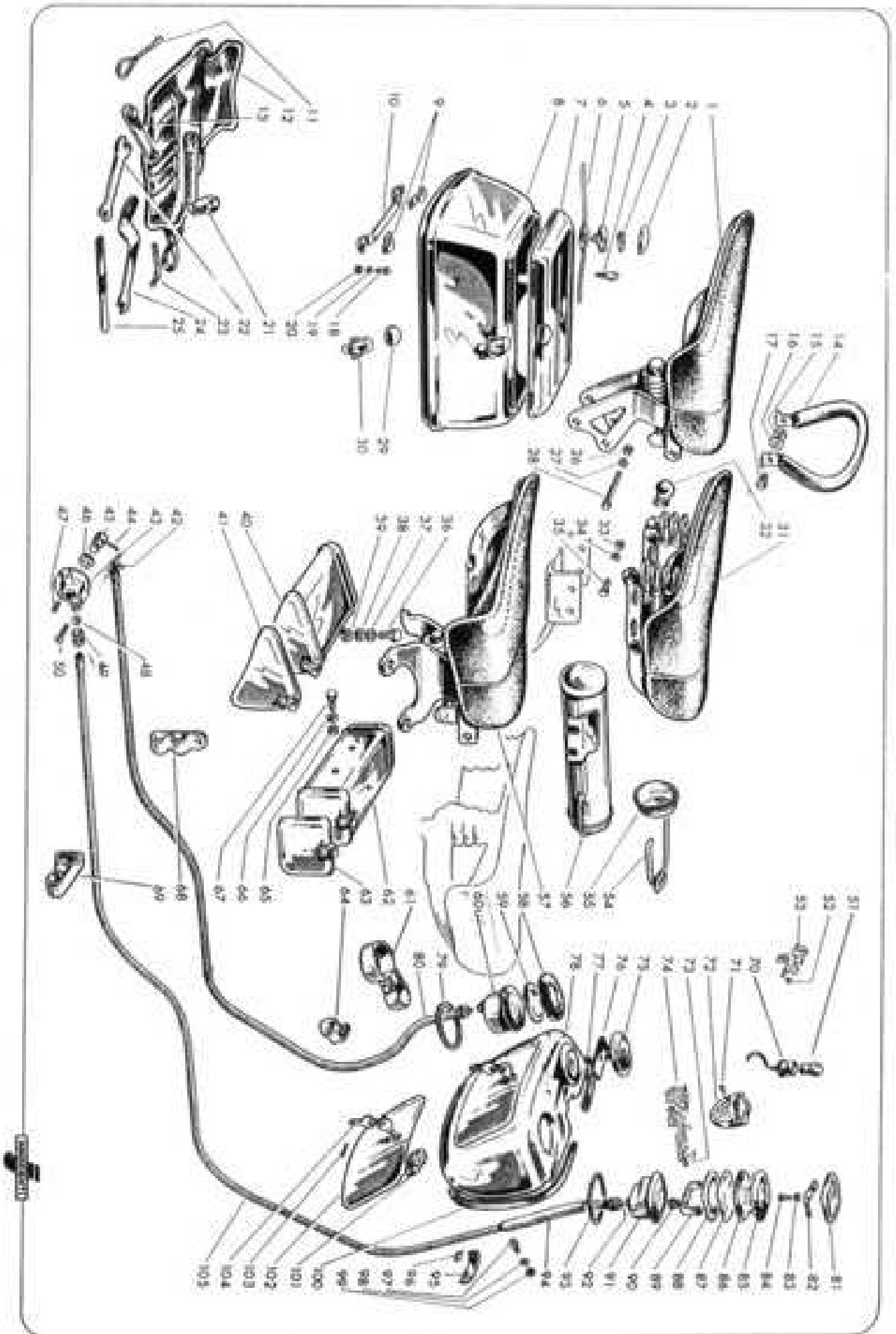


Fig. No.	Part No.	Description	Quantity	Fig. No.	Part No.	Description	Quantity
1	99095540	Saddle, pillion complete with figs. 14 - 15 - 16 - 17 (D)	1	31	12181501	Saddle rider (D/150)	1
2	99095532	Cover, for luggage box lock (D)	1	32	99095550	Saddle rider (D/125 - D/150)	1
3	99095533	Spring, for cover pin (D)	1	33	12150154	Cup, saddle protection	2
4	99095534	Key, for lock (D)	1	34	73040008	Nut, for screws at fig. 35 (D)	4
5	99095570	Lock, complete with figs. 2 - 3 - 4 (D)	2	34	73170084	Spring washer, for nuts at fig. 33 (D)	4
6	99095540	Fastener, for lock (D)	1	35	70370820	Screw, fixing robe saddle (D)	4
7	99095540	Cover, luggage box (D)	1	36	70370830	Screw, fixing pillion saddle (D)	4
8	99095530	Luggage box (D)	1	37	73030084	Pin washer, for screws at fig. 26 (D)	4
9	99095536	Clamp, for strap (D)	4	38	73170084	Spring washer, for screws at fig. 26 (D)	4
10	99095535	Strap, for fixing luggage box (D)	2	39	73040008	Nut, for screws at fig. 36 (D)	4
11	15084045	Screwdriver	1	40	08181251	Tool bar (for (D without epicyclic starter)	1
12	03010906	Tool bag	1	41	08181252	Cover, for tool box	1
13	07011296	Spanner, double head 10 - 14 mm, for oil plug	1	42	00410021	Lead cable, for speedometer at fig. 60 (for machine without epicyclic starter)	1
14	99095570	Handgrip, for pillion saddle	1	43	00410035	Drive base	1
15	73030008	Nut, for screw fixing handgrip	2	44	00410428	Drive pinion	1
16	73170084	Spring washer, for screw at fig. 15	2	45	00413351	Drive plates	1
17	71340018	Screw, for fixing handgrip	2	46	00415402	Oil seal, for drive pinion	1
18	70340518	Screw, for fixing luggage box (D)	4	47	71420512	Strap, for fixing drive box	2
19	73170033	Spring washer, for screws at fig. 18 (D)	4	48	00413107	Strap washer, for speedometer cable	1
20	73030005	Nut, for screws at fig. 18	4	49	00413304	Ring, for locking cable to drive box	1
21	11011501	Spanner, for wheel nut and sparking plug	1	50	71430528	Screw, for fixing drive box	1
22	15084041	Spanner, double ended 8 - 10 mm, Allen key, for clutch and gear cables locking trunnions	1	51	13010737	Bolt, for speedometer 6 V - 1.5 W	1
23	20330035	Spanner, double ended 14-27 mm, file, for cleaning contact points	1	52	15087002	Bolt, for speedometer 12 V - 2.5 W	1
24	15084059	Nut, for screws at fig. 28 (D)	2	53	73700245	Bracket, for fixing name plate (D)	2
25	15084043	Spring washer, for nuts at fig. 28 (D)	2	54	11181044	Name plate (D)	1
26	73040008	Spring washer, for nuts at fig. 26 (D)	2	54	07180154	Spring, retaining tool box cover (D)	1
27	73170084	Spring washer, for nuts at fig. 26 (D)	2	55	07180155	Cover, tool box (D)	1
28	70340070	Nut, for fastener (D)	2	56	11181057	Tool box, complete (D)	1
29	99095528	Fastener, for locking luggage box (D)	2	57	12181221	Saddle, pillion complete with figs. 14 - 15 - 16 - 17 (D/150)	1
30	99095540		2	58	00410102	Saddle, pillion complete with figs. 14 - 15 - 16 - 17 (D/125)	1
				59	00415019	Rim, speedometer (D-D/150)	1
						Glass, speedometer (D-D/150)	1

Fig. No.	Part No.	Description	Quantity	Fig. No.	Part No.	Description	Quantity
60	00613002	TA-3002/A	1	81	13010940	Cap. for handlebar control	1
	00613100	TA-3100/C	1	82	12010927	Plate, for fixing caps	1
	00614002	TA-4002/A	1	83	83110003	Spring washer, for screw at Fig. 84	1
61	00614101	TA-4101/A	1	84	70830207	Screw, for fixing stop	1
	11011146		1		85	00611002	Blk. for speedometer
62	12181206		1	86	00611004	Gasket, upper, for speedometer glass	1
63	12181337		1	87	00611003	Gasket, lower, for speedometer glass	1
	00610034	SC-034	1		88	00611010	Gasket, lower, for speedometer glass
64	72000003		4	89	00611008	Strap, for fixing speedometer	1
65	73170033		4		90	00611009	Strap, for fixing speedometer
66	70840207		4	91	00611000	Strap, for fixing speedometer	1
67	12010711		4		00611001	Strap, for fixing speedometer	1
68	12010711		1	92	00611007	Strap, for fixing speedometer	1
	12010712		1		00611008	Strap, for fixing speedometer	1
69	12010712		1	93	00611005	Strap, for fixing speedometer	1
70	00611015	PI 035-B	1		94	12010726	Strap, for fixing speedometer
71	71203505		2	95	12180111	Strap, for fixing speedometer	1
72	12181131		2		00611003	Strap, for fixing speedometer	1
73	73210206		1	96	00611003	Strap, for fixing speedometer	1
	12180164		2		70880409	Strap, for fixing speedometer	2
74	12180186		1	97	73170042	Strap, for fixing speedometer	4
	00611366		1		73030004	Strap, for fixing speedometer	4
75	00610923		1	98	00610924	Strap, for fixing speedometer	2
76	73000003		1		00611106	Strap, for fixing speedometer	1
77	00611271		1	99	00611381	Strap, for fixing speedometer	1
78	00611005		1		00610923	Strap, for fixing speedometer	1
79	00610106	GA-1-06	1	100	00610928	Strap, for fixing speedometer	2
	00610055	T-055 x 1618	1		00611006	Strap, for fixing speedometer	1
80	00610106	GA-1-06	1	101	00611006	Strap, for fixing speedometer	1
	00610055	T-055 x 1618	1		00611006	Strap, for fixing speedometer	1



Lambretta 150 J/1D/1d electric starter 125 1d derived

Spare Parts Catalogue



Cylinder crankcase and
transmission case II
Crankshaft and piston III

Clutch III

Gear box components IV

Transmission and rear axle
components V

K/ start solution (11 M 400
11 M 400/1 - 11 M 400/2) VI

K/ start solution (11 M 400/4 -
11 M 400/6) VII

Epicyclical starter VIII

Fuel tank and carburettor IX

Exhaust, silencer components X

Cooling XI

Frames and suspension XII

Handlebar and fork components XIII

Wheels and brakes XIV

Electrical equipments (D, LD, 1956
LD/1956 electric starter) XV

Electrical equipments (LD/1957
LD/1957 electric starter) XVI

Electric starter XVII

Flywheel magnets «Filova»
and «Marzilli» XVIII

Panel and frame components XIX

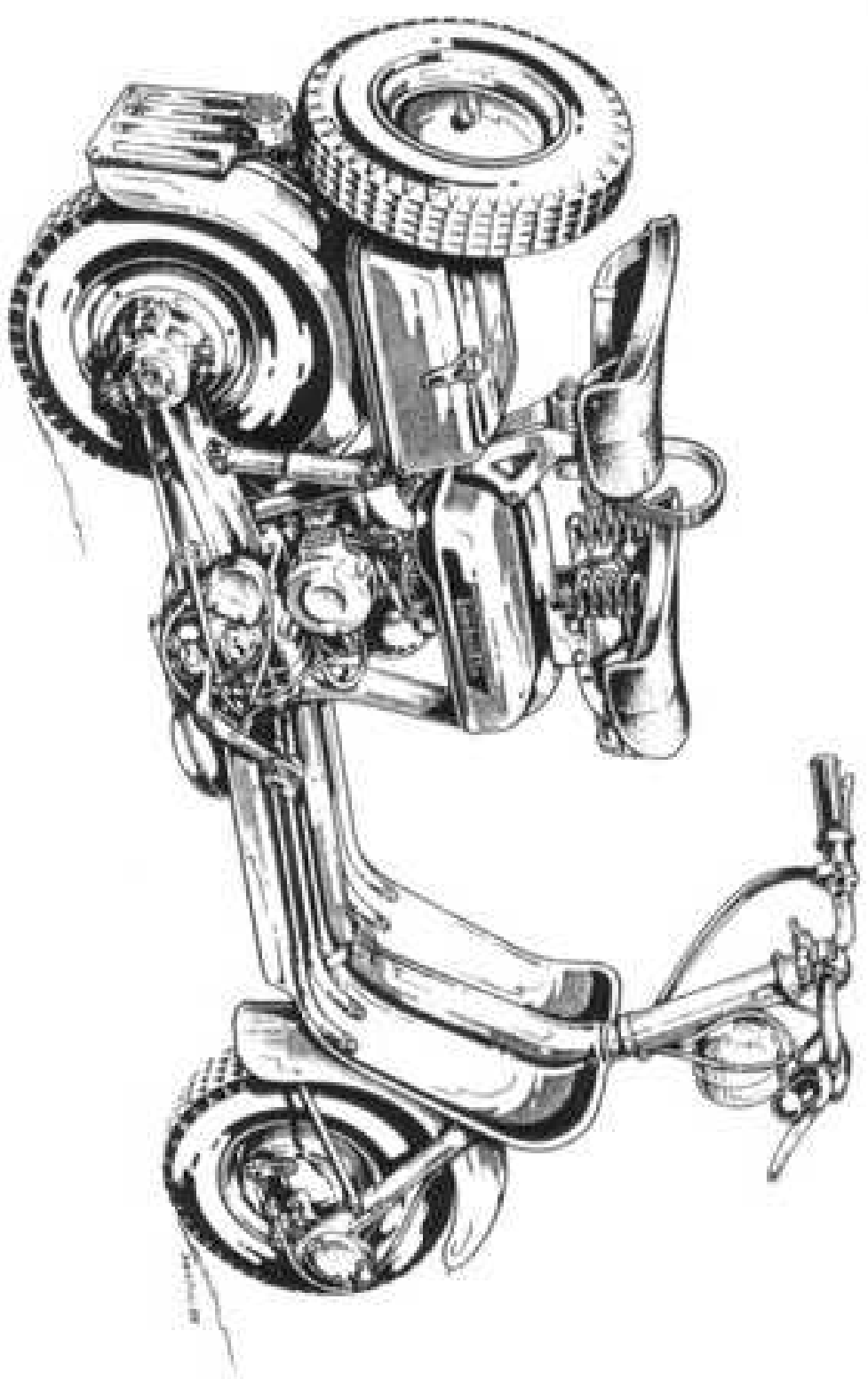
Cables and controls XX

Accessories XXI

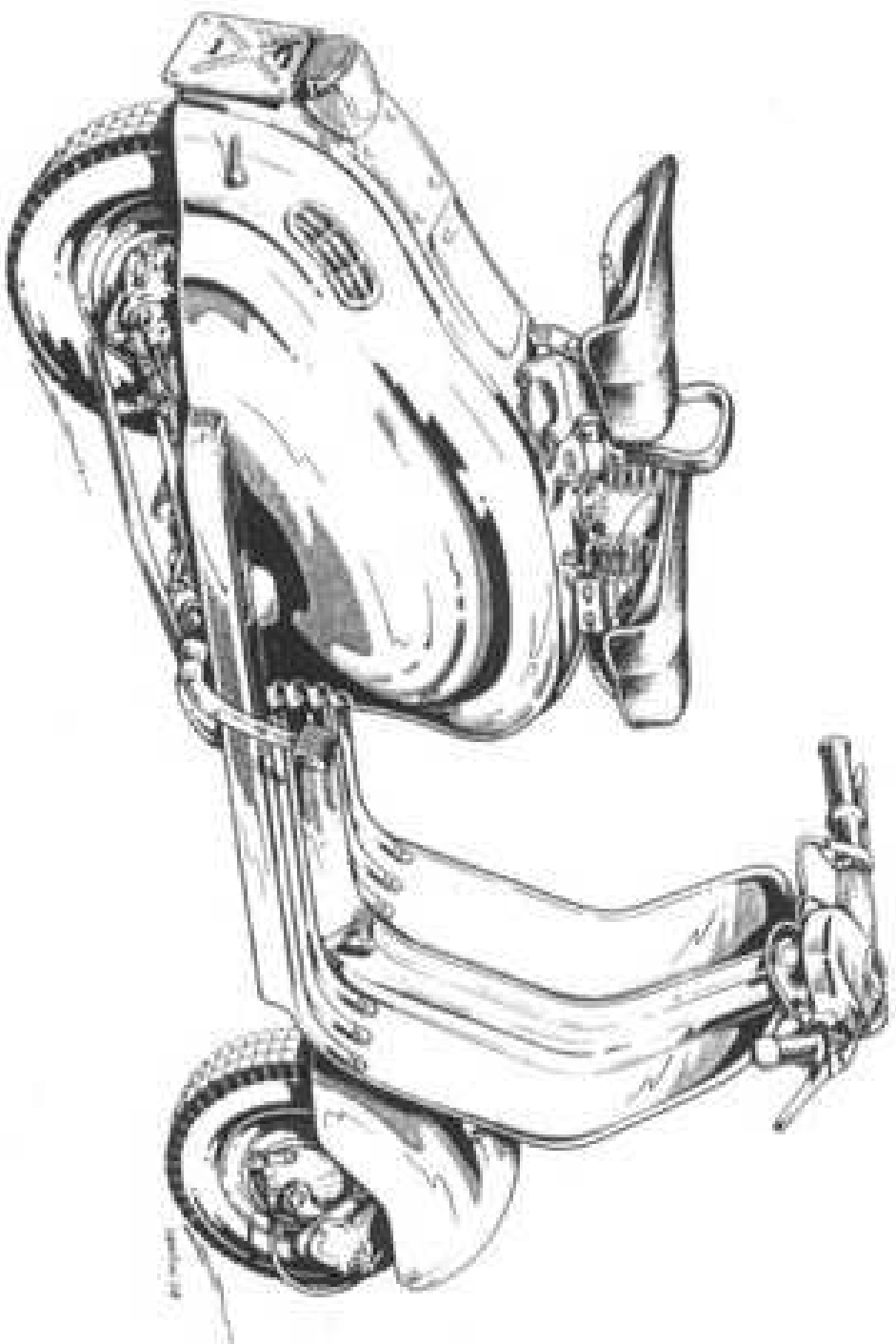
INDEX

INDEX
OF
SECTION

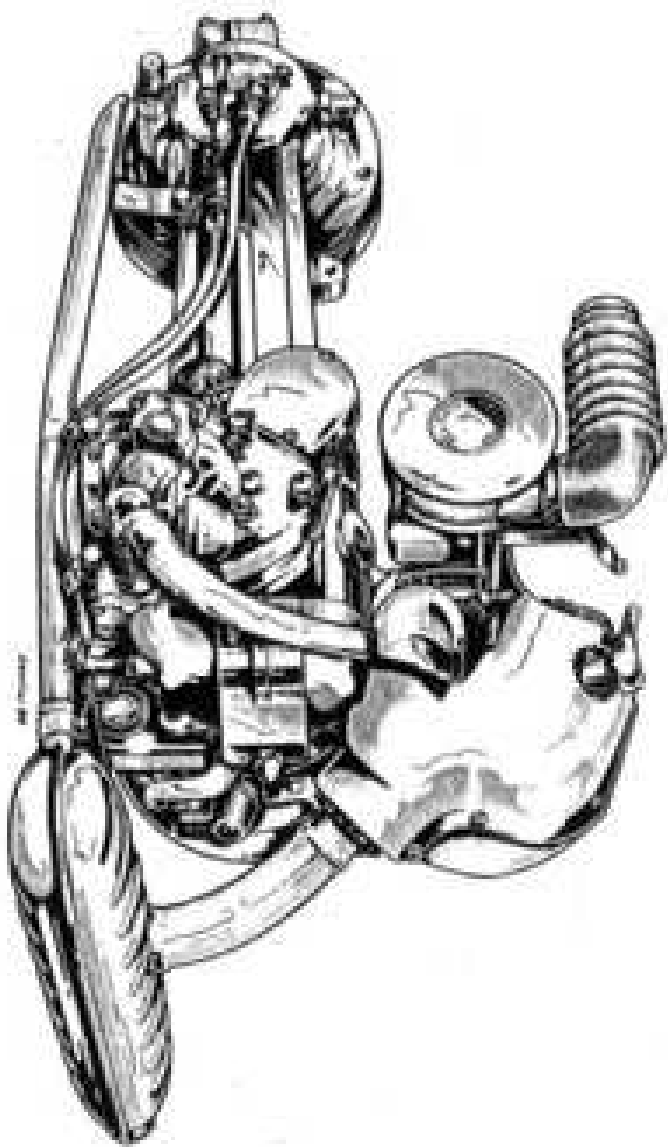
Lambretta 150 J



Lambretta 150 LD



ENGINE ASSEMBLY



W A R N I N G ! ! !

This catalogue cancels and substitutes all previous publications concerning the following « Lambretta » models:

150 D-LD - LD electric starter

125 LD derived

Productions 1955 - 1956 - 1957 - 1958